

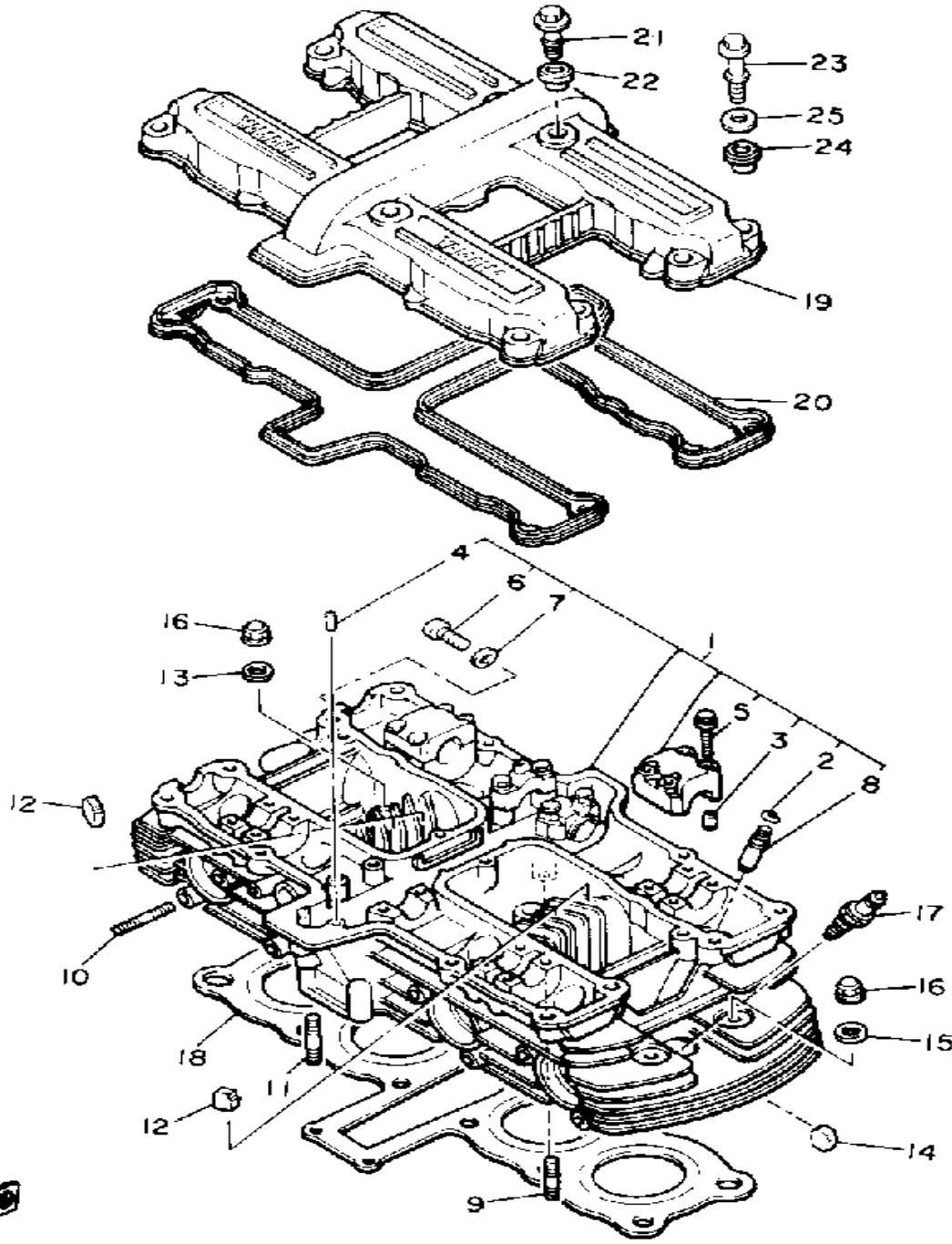
YAMAHA

GENUINE

PARTS CATALOGUE

MOTORCYCLE

CYLINDER HEAD



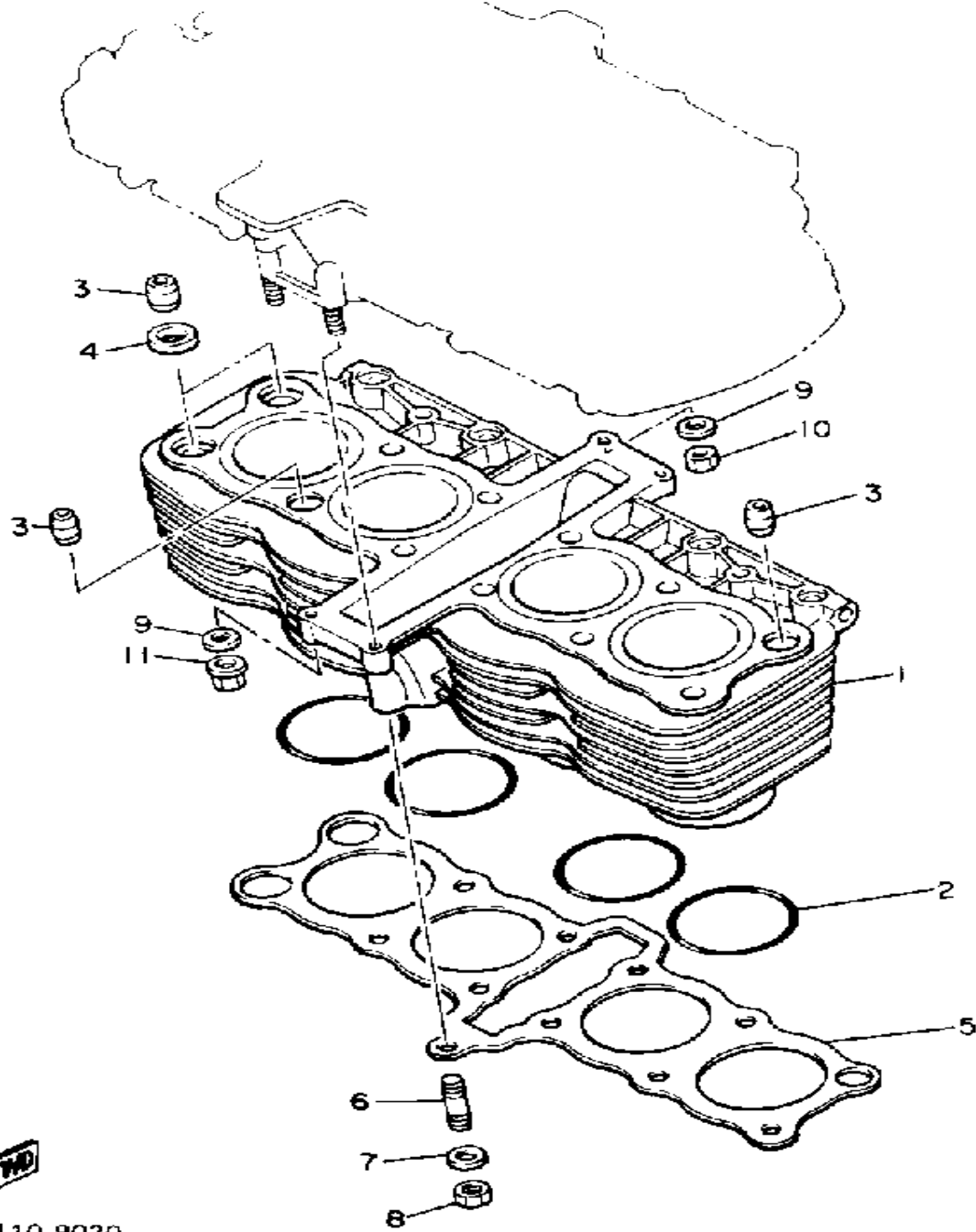
Ref. No.	Part Number	Description	Qty	Remarks
1	49A-11101-00-00	CYLINDER HEAD ASSEMBLY	1	
2	93440-10085-00	. CIRCLIP	8	
3	99510-08016-00	. PIN, DOWEL	12	
4	93604-14012-00	. PIN, DOWEL	1	
5	90105-06153-00	. BOLT, WASHER BASED	24	
6	90153-06045-00	. SCREW, HEXAGON	1	
7	90430-06014-00	. GASKET	1	
8	4G0-11133-10-00	. GDE, INTK VLV 1 O/S	8	
9	95621-06618-00	BOLT, STUD	2	
10	90116-06540-00	BOLT, STUD (3KM)	8	
11	95611-06630-00	BOLT, STUD	2	
12	434-11161-00-00	ABSORBER 1	4	
13	90201-094G1-00	WASHER, PLATE	10	
14	4H7-11161-00-00	ABSORBER 1	14	
15	90201-080L7-00	WASHER, PLATE	2	
16	90176-08026-00	NUT, CROWN	12	
17	NGK-D8EA0-00-00	PLUG, SPARK (NGK D8EA)	4	
18	4BR-11181-00-00	GASKET, CYLINDER HEAD 1	1	
19	3LT-11191-00-00	COVER, CYLINDER.HEAD 1	1	
20	3KM-11193-00-00	GASKET, HD.COVER 1	1	
21	90109-06585-00	BOLT	4	
22	4G0-1111G-00-00	RUBBER, MOUNT 1	4	
23	90109-06584-00	BOLT	8	
24	90480-11287-00	GROMMET	8	
25	90209-10199-00	WASHER, SPEC'L SHAP	8	



2XA110-8010

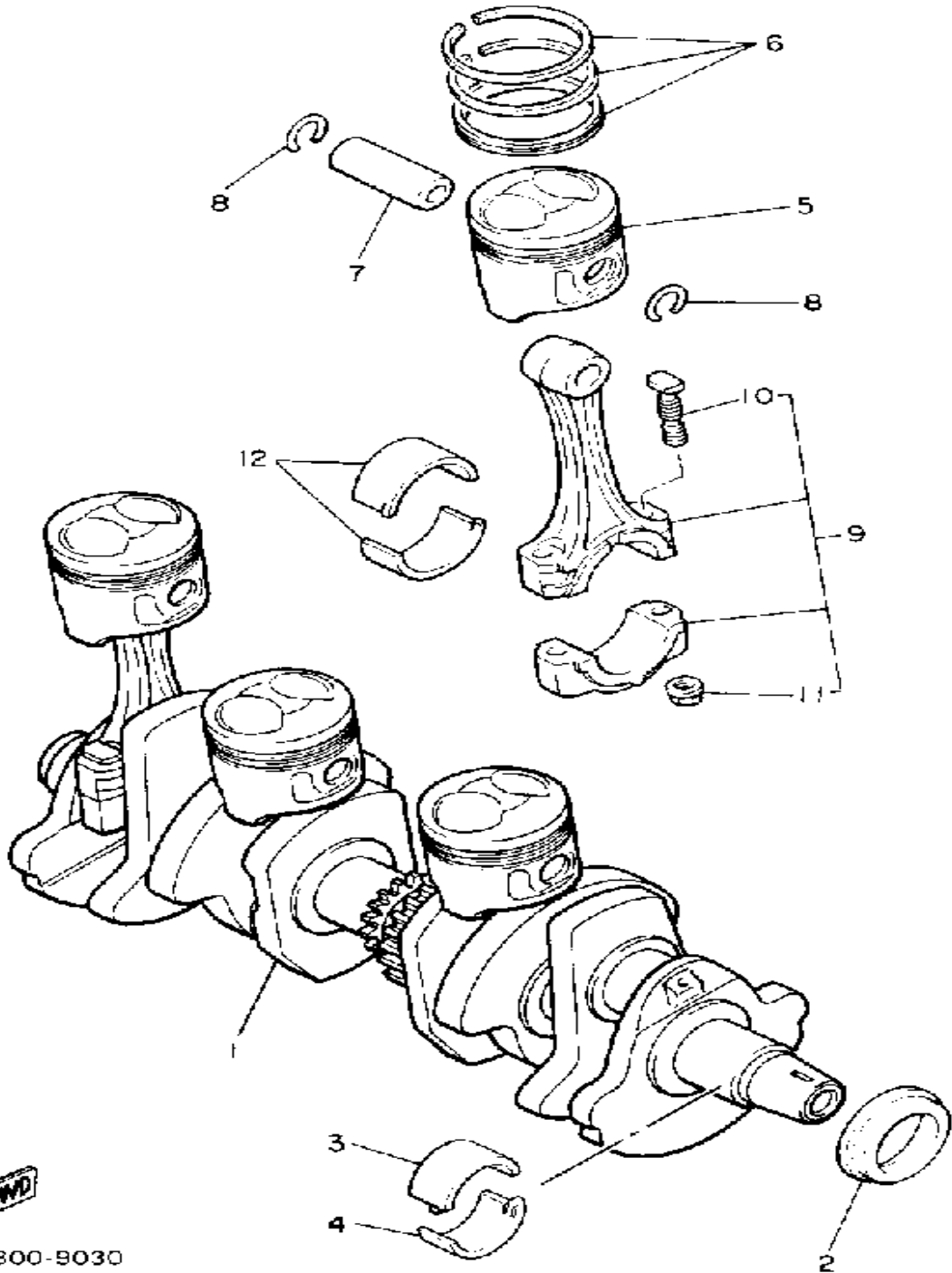
CYLINDER

Ref. No.	Part Number	Description	Qty	Remarks
1	2AX-11310-01-00	CYLINDER	1	
2	93210-62323-00	O-RING (93210-63442-00)	4	
3	99530-14016-00	PIN, DOWEL	4	
4	90430-14131-00	GASKET	2	
5	3KM-11351-00-00	GASKET, CYLINDER	1	
6	95611-08330-00	BOLT, STUD	1	
7	90201-084G3-00	WASHER, PLATE	1	
8	95333-08600-00	NUT	1	
9	92901-06600-00	WASHER	4	
10	95311-06600-00	NUT	2	
11	90179-06499-00	NUT	2	



3LT110-9020

CRANKSHAFT - PISTON

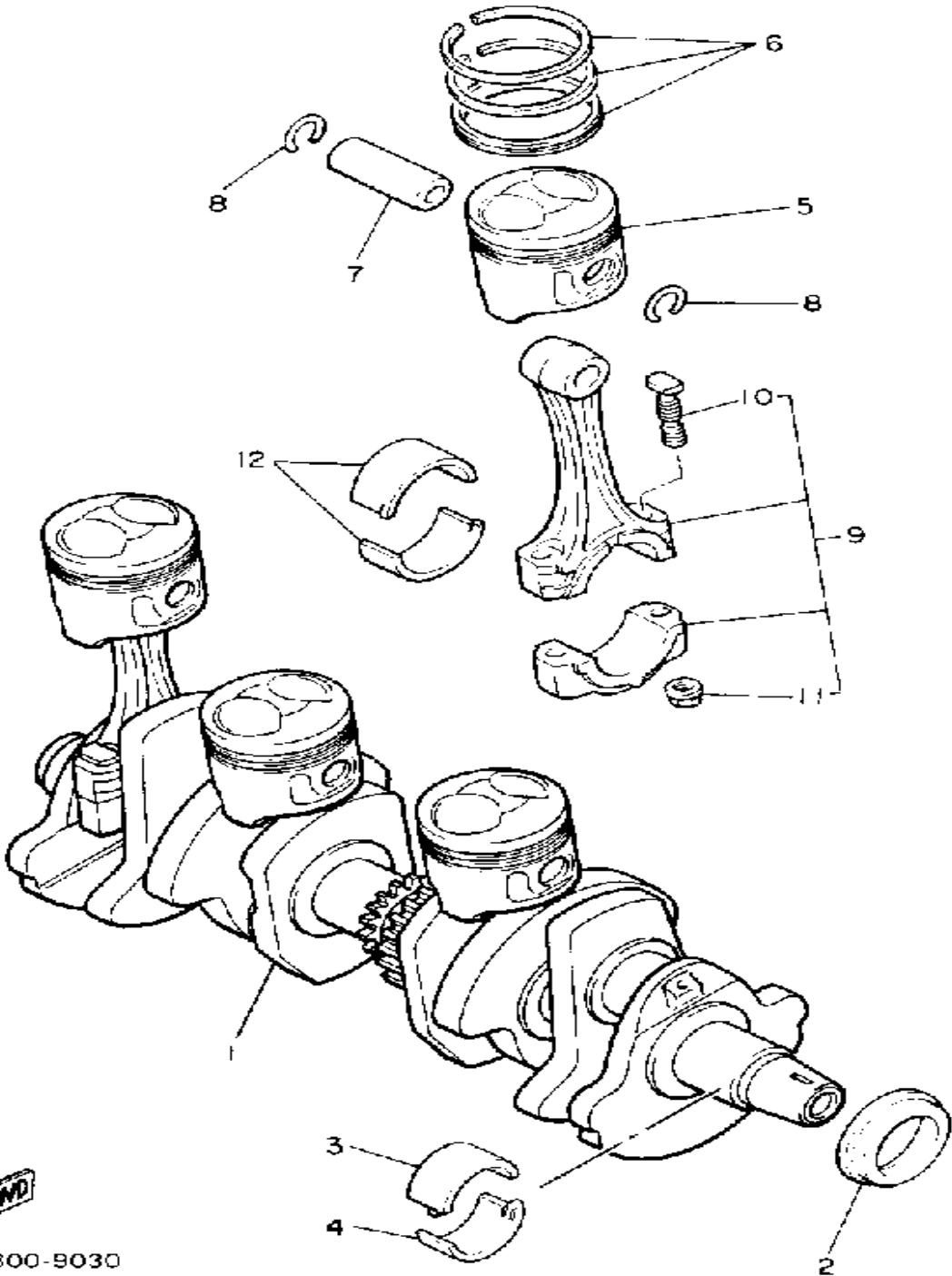


Ref. No.	Part Number	Description	Qty	Remarks
1	3KM-11411-00-00	CRANKSHAFT	1	
2	93101-32144-00	OIL SEAL	1	
3	49A-11416-00-00	PLANE BRNG, CRSF 1	5	UR BLUE
	49A-11416-10-00	PLANE BRNG, CRSF 1	5	UR BLACK
	49A-11416-20-00	PLANE BRNG, CRSF 1	5	UR BROWN
	49A-11416-30-00	PLANE BRNG, CRSF 1	5	UR GREEN
	49A-11416-40-00	PLANE BRNG, CRSF 1	5	UR YELLOW
4	49A-11418-00-00	PLANE BRNG, CRSF 3	5	UR BLUE
	49A-11418-10-00	PLANE BRNG, CRSF 3	5	UR BLACK
	49A-11418-20-00	PLANE BRNG, CRSF 3	5	UR BROWN
	49A-11418-30-00	PLANE BRNG, CRSF 3	5	UR GREEN
	49A-11418-40-00	PLANE BRNG, CRSF 3	5	UR YELLOW
5	49A-11631-00-X0	PISTON STD (STD)	4	
	49A-11636-00-00	PISTON 2 O/S 0.50 (0.50MM O/S)	4	AP
	49A-11638-00-00	PISTON 4 O/S 1.00 (1.00MM O/S)	4	AP
6	49A-11610-00-00	PISTON RINGSET STD (STD)	4	
	49A-11610-20-00	PISTON RINGSET 2ND (2ND O/S)	4	AP
	49A-11610-40-00	PISTON RINGSET 4TH (4TH O/S)	4	AP
7	49A-11633-00-00	PIN, PISTON	4	
8	93450-16068-00	CIRCLIP	8	
9	49A-11650-00-00	CONNECTING ROD ASSEMBLY	4	
10	4H7-11654-00-00	. BOLT, CONNECTING ROD	2	
11	90179-07307-00	. NUT	2	
12	49A-11656-00-00	PLANE BEARING, CONNECTING ROD	8	UR BLUE
	49A-11656-10-00	PLANE BEARING, CONNECTING ROD	8	UR BLACK

CONTINUED ON NEXT FRAME ►

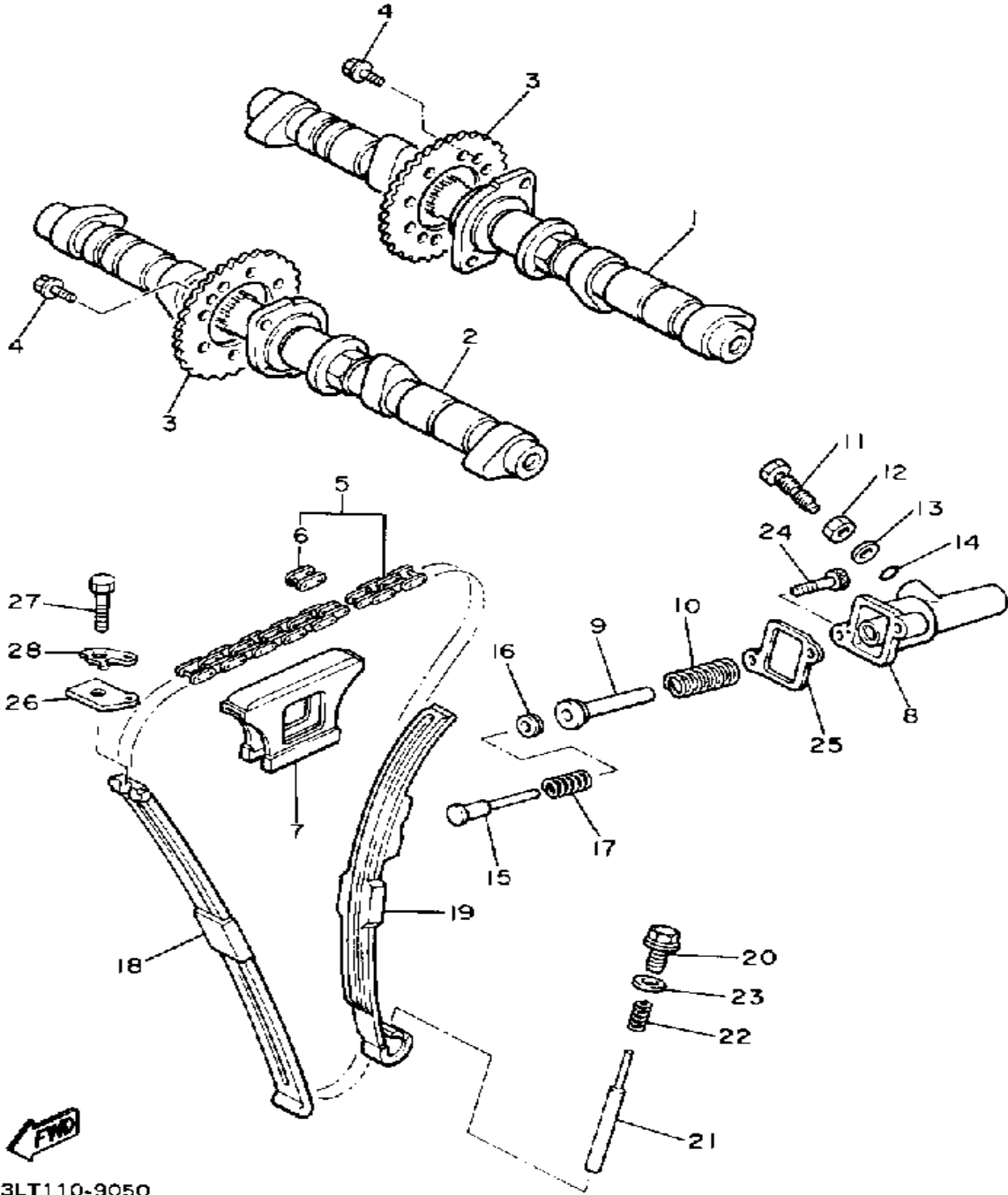
CRANKSHAFT - PISTON

Ref. No.	Part Number	Description	Qty	Remarks
12	49A-11656-20-00	PLANE BEARING, CONNECTING ROD	8	UR BROWN
	49A-11656-30-00	PLANE BEARING, CONNECTING ROD	8	UR GREEN



3KM300-9030

CAMSHAFT - CHAIN



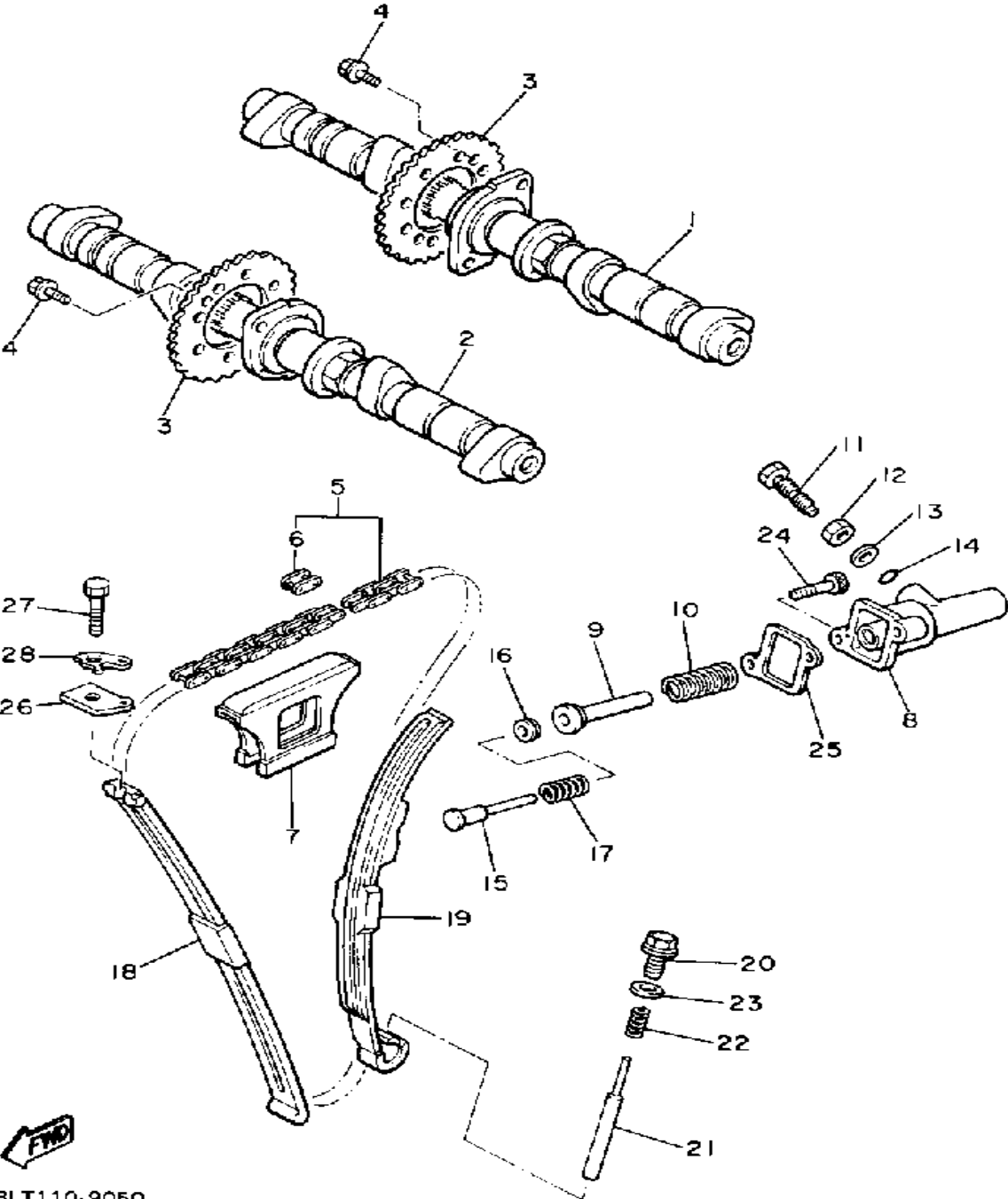
3LT110-9050

Ref. No.	Part Number	Description	Qty	Remarks
1	1UJ-12171-00-00	CAMSHAFT 1	1	
2	49A-12181-00-00	CAMSHAFT 2	1	
3	4G0-12176-01-00	SPROCKET, CAM CHAIN (4G0-12176-00) (32T)	2	
4	90105-07342-00	BOLT, WASHER BASED	4	
5	94580-37114-00	CHAIN CAM SHAFT (DID219FTS 114L)	1	
6	94681-01021-00	. JOINT, CHAIN	1	
7	4H7-12241-00-00	GUIDE, STOPPER 2	1	
8	4G0-12212-01-00	CASE, CHAIN TENSNR	1	
9	4G0-12217-01-00	ROD, CHN TENSIONER	1	
10	90501-16616-00	SPRING, COMPRESSION	1	
11	90109-08442-00	BOLT	1	
12	95303-08700-00	NUT	1	
13	92990-06200-00	WASHER	1	
14	93210-06632-00	O-RING	1	
15	4G0-12227-00-00	ROD, CHAIN TENSNR 2	1	
16	4G0-12232-00-00	DAMPER	1	
17	90501-13615-00	SPRING, COMPRESSION	1	
18	4G0-12251-00-00	DAMPER, CHAIN 1	1	
19	4G0-12252-01-00	DAMPER, CHAIN 2	1	
20	90340-10061-00	PLUG, STRAIGHT SCRW	1	
21	90249-04184-00	PIN, SPEC"L SHAPE	1	
22	90501-15603-00	SPRING, COMPRESSION	1	
23	90201-10118-00	WASHER, PLATE	1	
24	91311-06025-00	BOLT, SOCKET HEAD	2	
25	3KM-12213-00-00	GASKET, TENSNR CASE	1	
26	90209-06201-00	WASHER, SPEC"L SHAP	1	
27	97001-06035-00	BOLT	1	

CONTINUED ON NEXT FRAME ►

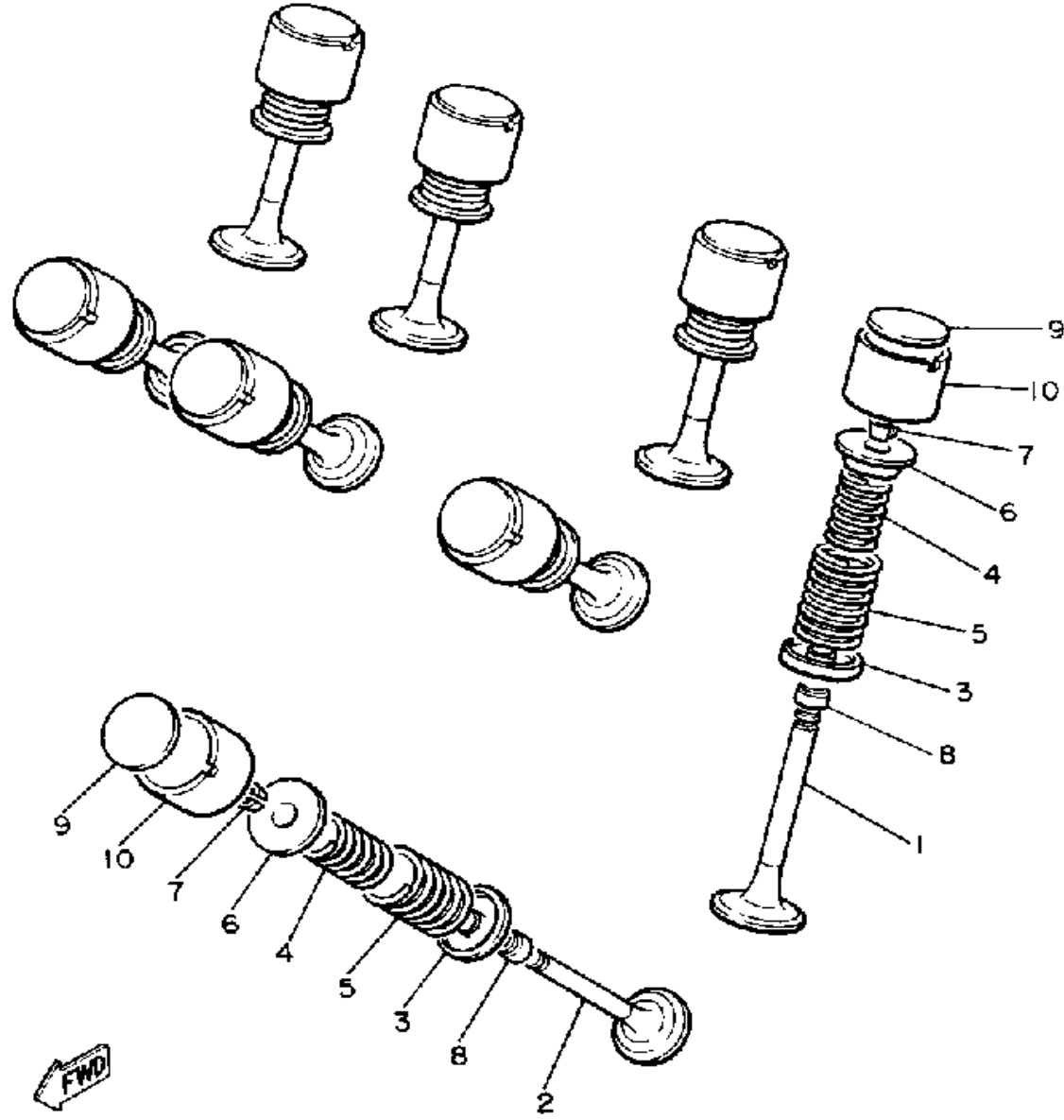
CAMSHAFT - CHAIN

Ref. No.	Part Number	Description	Qty	Remarks
28	90215-06177-00	WASHER, LOCK	1	



3LT110-9050

VALVE

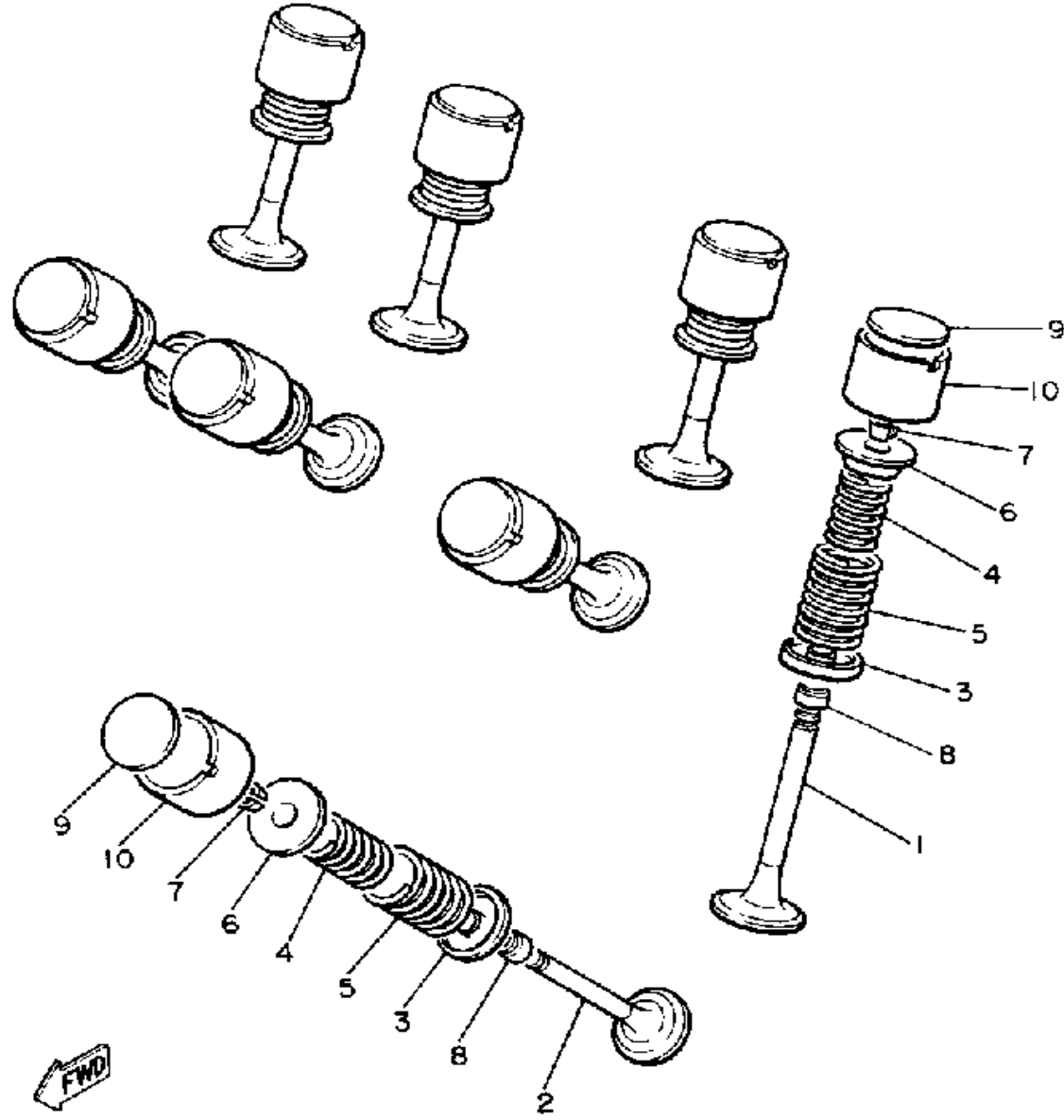


4G0010-0050

Ref. No.	Part Number	Description	Qty	Remarks
1	49A-12111-00-00	VALVE, INTAKE	4	
2	49A-12121-00-00	VALVE, EXHAUST	4	
3	4G0-12116-01-00	SEAT, VALVE SPRING	8	
4	4G0-12113-01-00	SPRING, VALVE INNER	8	YELLOW
5	4G0-12114-01-00	SPRING, VALVE OUTER	8	YELLOW
6	4G0-12117-00-00	RETAINER, VALVE SPRING ..	8	
7	4G0-12118-00-00	COTTER, VALVE	16	
8	5H0-12119-00-00	SEAL, VALVE STEM	8	
9	1J7-12169-01-00	PAD, ADJUSTING 2.00 (2.00) ..	8	UR
	1J7-12169-11-00	PAD, ADJUSTING 2.05 (2.05) ..	8	UR
	1J7-12169-21-00	PAD, ADJUSTING 2.10 (2.10) ..	8	UR
	1J7-12169-31-00	PAD, ADJUSTING 2.15 (2.15) ..	8	UR
	1J7-12169-41-00	PAD, ADJUSTING 2.20 (2.20) ..	8	UR
	1J7-12169-51-00	PAD, ADJUSTING 2.25 (2.25) ..	8	UR
	1J7-12169-61-00	PAD, ADJUSTING 2.30 (2.30) ..	8	UR
	1J7-12169-71-00	PAD, ADJUSTING 2.35 (2.35) ..	8	UR
	1J7-12169-81-00	PAD, ADJUSTING 2.40 (2.40) ..	8	UR
	1J7-12169-91-00	PAD, ADJUSTING 2.45 (2.45) ..	8	UR
	1J7-12169-A1-00	PAD, ADJUSTING 2.50 (2.50) ..	8	UR
	1J7-12169-E1-00	PAD, ADJUSTING 2.55 (2.55) ..	8	UR
	1J7-12169-F1-00	PAD, ADJUSTING 2.60 (2.60) ..	8	UR
	1J7-12169-G1-00	PAD, ADJUSTING 2.65 (2.65) ..	8	UR
	1J7-12169-H1-00	PAD, ADJUSTING 2.70 (2.70) ..	8	UR
	1J7-12169-J1-00	PAD, ADJUSTING 2.75 (2.75) ..	8	UR
	1J7-12169-K1-00	PAD, ADJUSTING 2.80 (2.80) ..	8	UR
	1J7-12169-L1-00	PAD, ADJUSTING 2.85 (2.85) ..	8	UR
	1J7-12169-M1-00	PAD, ADJUSTING 2.90 (2.90) ..	8	UR
	1J7-12169-N1-00	PAD, ADJUSTING 2.95 (2.95) ..	8	UR
	1J7-12169-R1-00	PAD, ADJUSTING 3.00 (3.00) ..	8	UR

CONTINUED ON NEXT FRAME ➤

VALVE



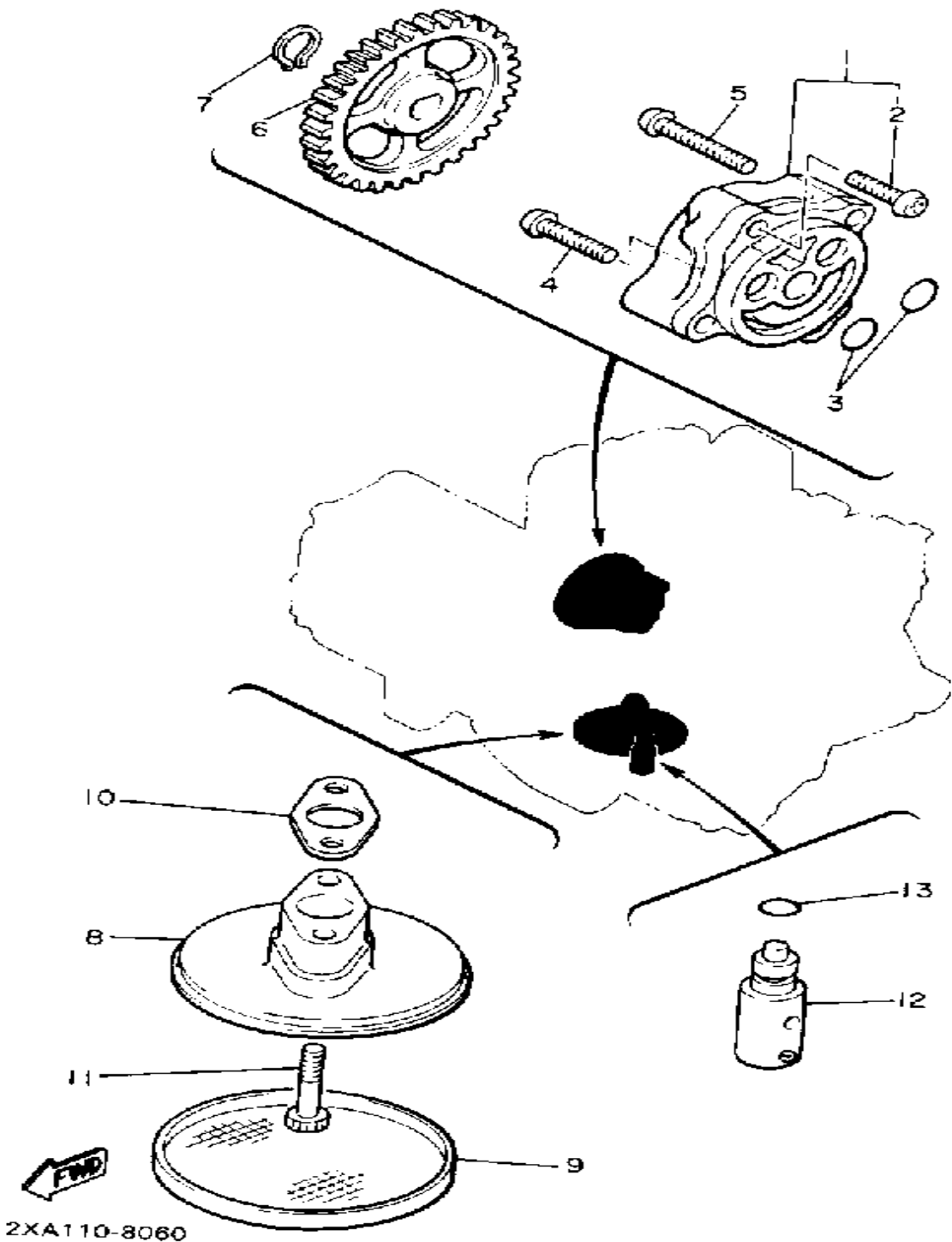
Ref. No.	Part Number	Description	Qty	Remarks
9	1J7-12169-T1-00	PAD, ADJUSTING 3.05 (3.05) ..	8	UR
	1J7-12169-U1-00	PAD, ADJUSTING 3.10 (3.10) ..	8	UR
	1J7-12169-V1-00	PAD, ADJUSTING 3.15 (3.15) ..	8	UR
	1J7-12169-W1-00	PAD, ADJUSTING 3.20 (3.20) ..	8	UR
10	31A-12153-00-E0	LIFTER, VALVE (4H7-12153-01)	8	UR
	31A-12153-00-H0	LIFTER, VALVE O/S (O/S)	8	UR GREEN



4G0010-0050

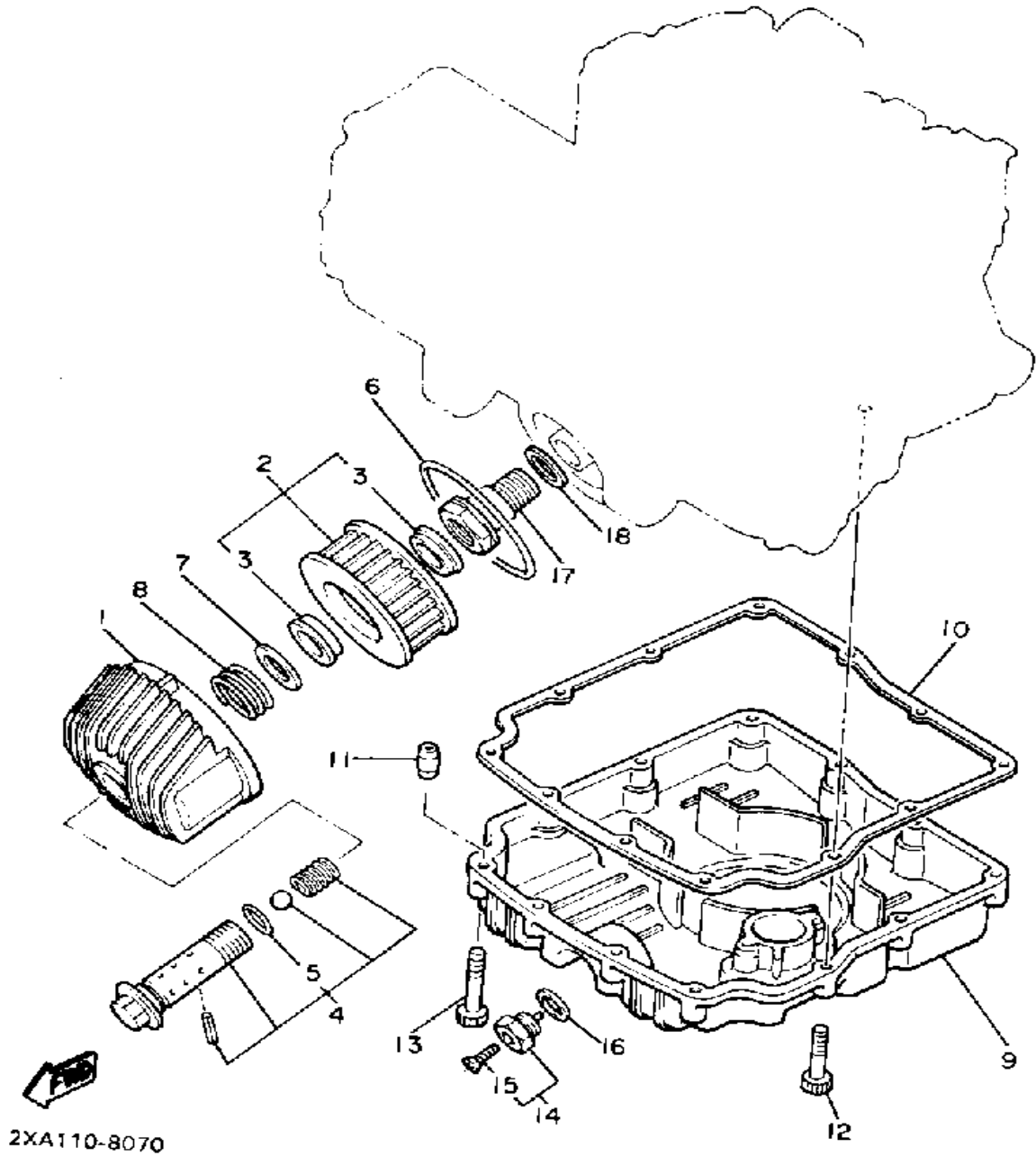
OIL PUMP

Ref. No.	Part Number	Description	Qty	Remarks
1	33M-13300-00-00	OIL PUMP ASSEMBLY	1	
2	98503-06014-00	SCREW, PAN HEAD (92502-06016)	1	
3	93210-13361-00	O-RING	2	
4	98511-06025-00	SCREW PAN HEAD (92501-06025)	1	
5	98580-06035-00	SCREW, PAN HEAD	2	
6	4G0-13325-01-00	GEAR, PUMP DRIVEN	1	
7	99009-11400-00	CIRCLIP	1	
8	(4G0-13412-00-00)	HOUSING, STRAINER	1	
9	4H7-13411-02-00	STRAINER, OIL	1	
10	3YX-13415-00-00	SEAL, OIL STRAINER	1	
11	90110-06138-00	BOLT, HEX SKT HEAD	2	
12	11H-13490-00-00	RELIEF VALVE ASSEMBLY ...	1	
13	93210-10096-00	O-RING	1	

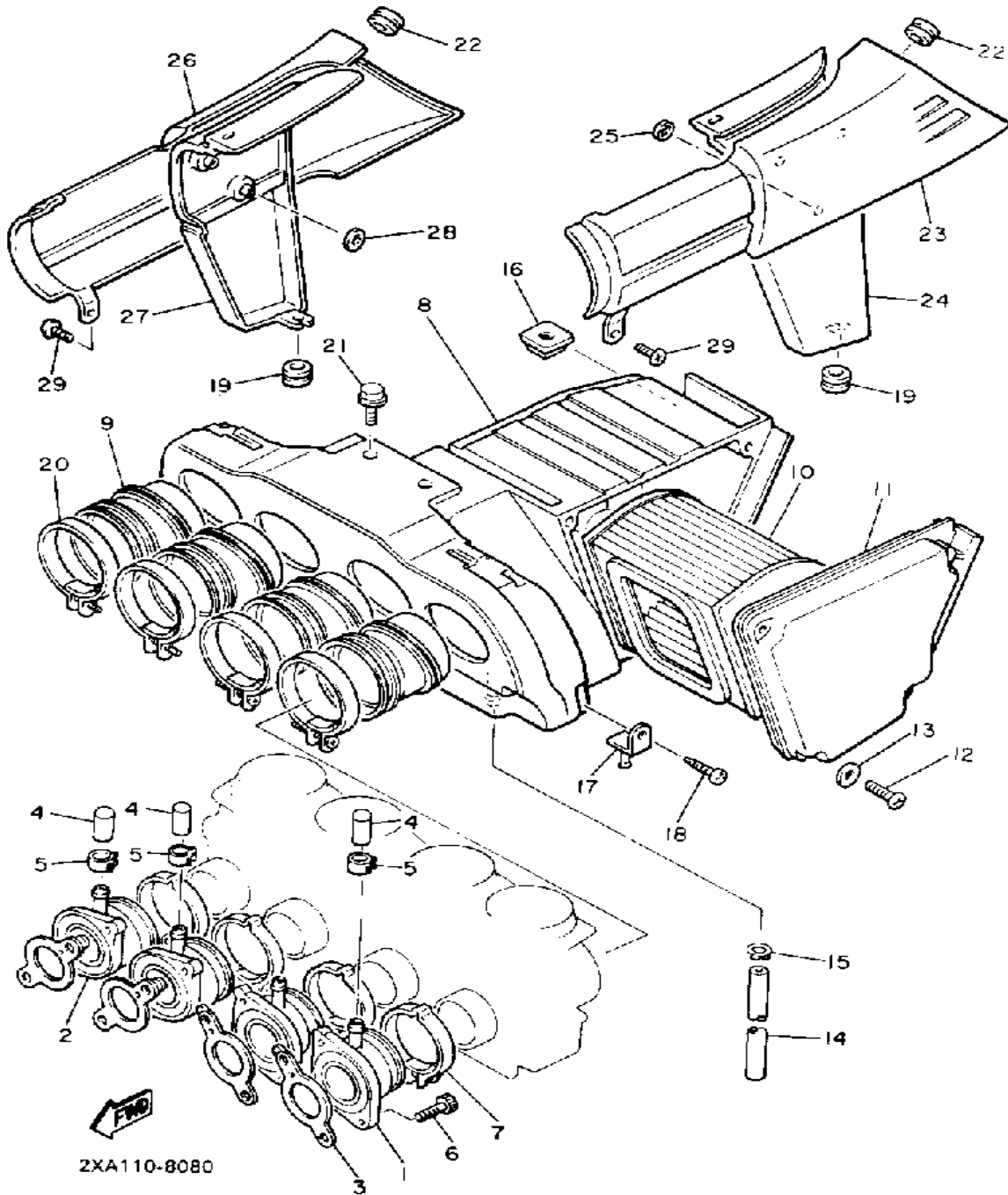


OIL FILTER

Ref. No.	Part Number	Description	Qty	Remarks
1	4V8-13447-00-00	COVER, OIL ELEMENT	1	
2	1L9-13441-11-00	ELEMENT, OIL CLNR	1	
3	90480-23193-00	. GROMMET	2	
	90480-23193-00	. GROMMET	4	
4	1L9-13340-01-00	BY-PASS VALVE ASSEMBLY	1	
5	93210-16629-00	. O-RING	1	
6	93210-87723-00	O-RING	1	
7	90201-21608-00	WASHER, PLATE	1	
8	90501-20422-00	SPRING, COMPRESSION	1	
9	(4G0-13417-03-00)	COVER, STRAINER	1	
10	4BR-13414-00-00	GASKET, STRAINER COVER	1	
11	99510-08016-00	PIN, DOWEL	2	
12	90110-06138-00	BOLT, HEX SKT HEAD	10	
13	91316-06040-00	BOLT, SOCKET HEAD	2	
14	3VD-13455-00-00	PLUG	1	
15	98901-06008-00	. SCREW, BIND	1	
16	214-11198-01-00	GASKET	1	
17	90401-20089-00	BOLT, UNION	1	
18	90201-20279-00	WASHER, PLATE	1	



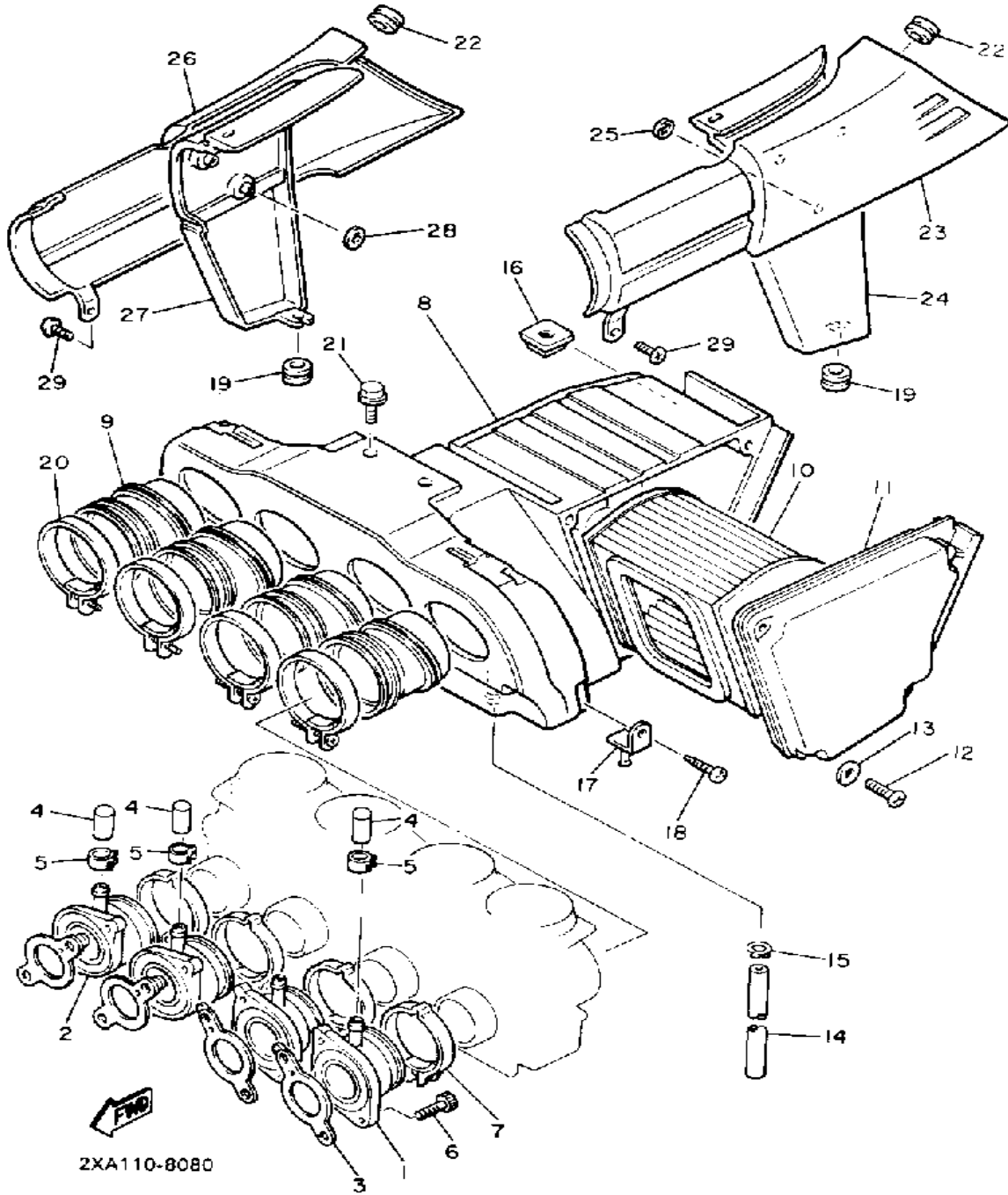
AIR FILTER



Ref. No.	Part Number	Description	Qty	Remarks
1	33M-13586-01-00	JOINT, CARBURETOR 1	2	
2	33M-13596-01-00	JOINT, CARBURETOR 2	2	
3	3KM-13556-00-00	GASKET, MANIFOLD	4	
4	16G-13569-00-00	PLUG, BLIND	3	
5	90467-10039-00	CLIP	3	
6	91316-06020-00	BOLT, SOCKET HEAD	8	
7	1UJ-13575-00-00	BAND	4	
8	5K5-14401-01-00	AIR CLNR CASE ASSEMBLY	1	
9	4G0-14453-00-00	JOINT, AIR CLNR 1	4	
10	4U8-14451-00-00	ELEMENT, AIR CLNR	1	
11	4U8-14412-00-00	CAP, CLEANER CASE 1	1	
12	98506-05025-00	SCREW, PAN HEAD	4	
13	92906-05600-00	WASHER, PLATE	4	
14	90446-11021-00	HOSE	1	
15	90467-09006-00	CLIP	1	
16	4H7-14484-00-00	PLATE, CLNR CS FTNG	1	
17	5K5-2174E-00-00	STAY, SIDE COVER 2	2	
18	97701-40508-00	SCREW, TAPPING (97702-40508)	2	
19	90480-12053-00	GROMMET	2	
20	90450-56002-00	HOSE CLAMP ASSEMBLY	4	
21	90119-06029-00	BOLT, WITH WASHER	3	
22	90480-10334-00	GROMMET	2	
23	1UJ-1441A-00-00	COVER, CLNR CASE 1	1	
24	1UJ-1441E-00-00	COVER, CLNR CASE 2	1	
25	90183-06008-00	NUT, SPRING	3	
26	1UJ-1442A-00-00	COVER, CLNR CASE 3	1	
27	1UJ-1442E-00-00	COVER, CLNR CASE 4	1	
28	90183-06008-00	NUT, SPRING	3	

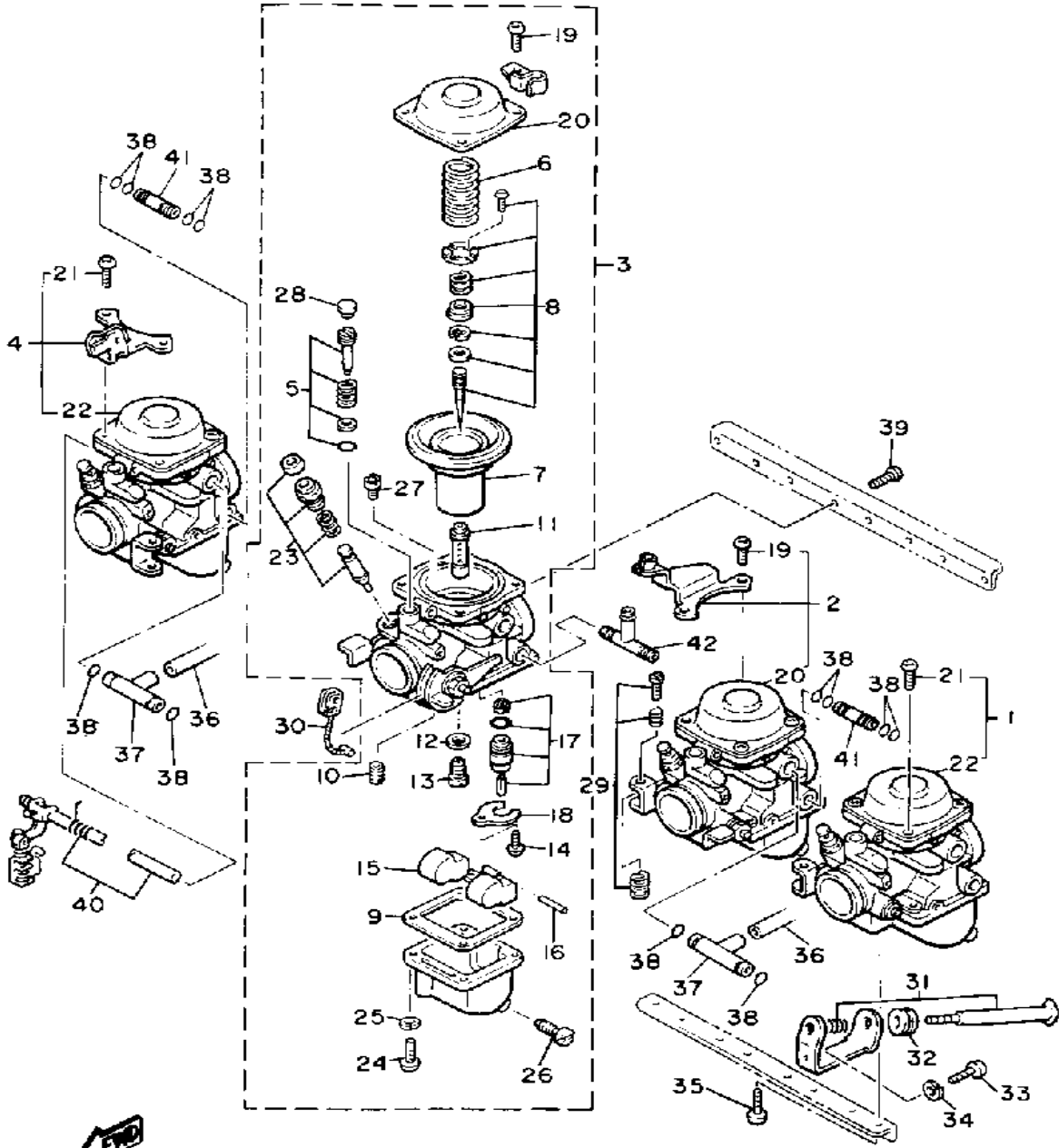
CONTINUED ON NEXT FRAME ►

AIR FILTER



Ref. No.	Part Number	Description	Qty	Remarks
29	90154-05042-00	SCREW, BINDING	4	

CARBURETOR

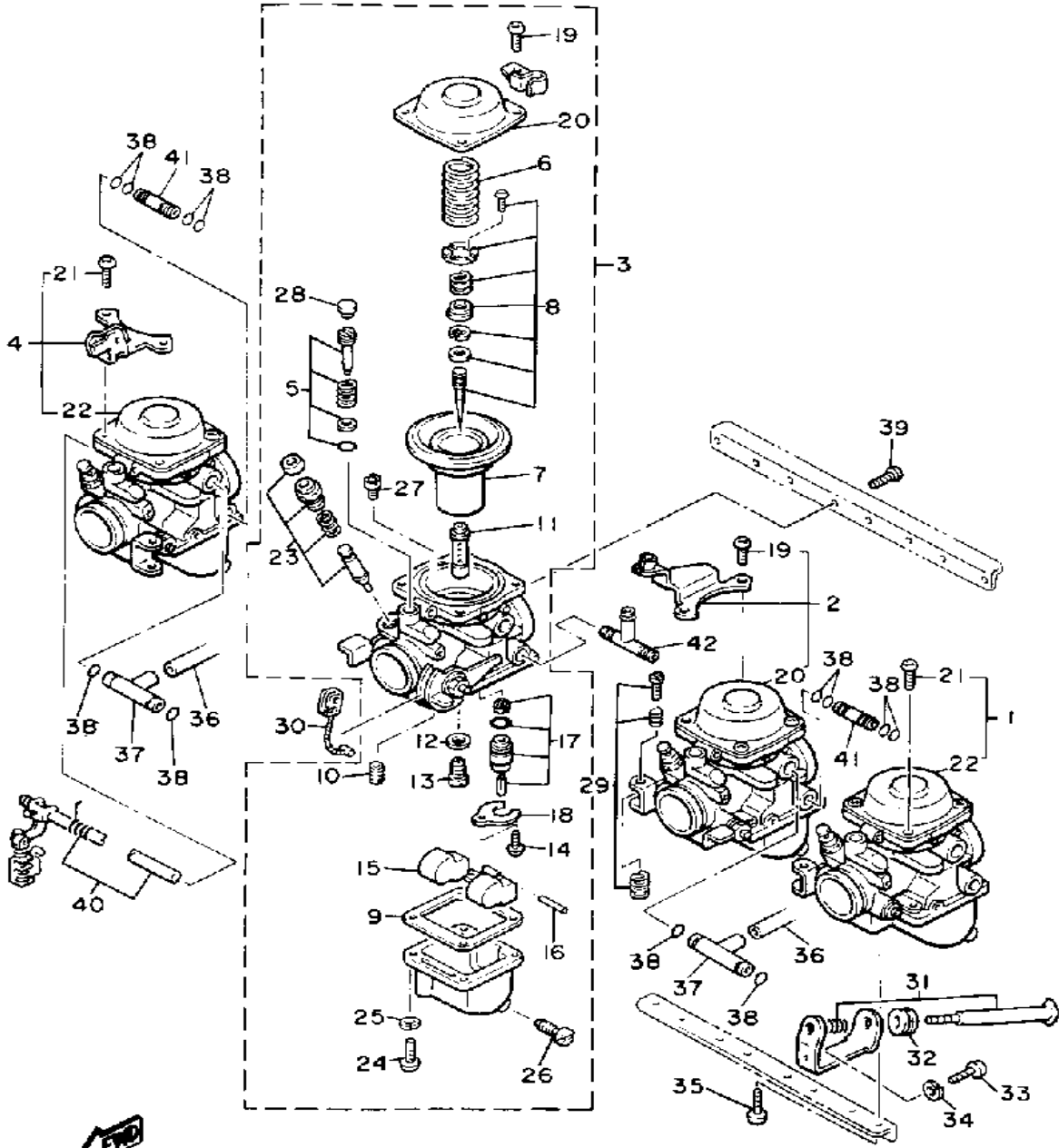


2XA110-B090

Ref. No.	Part Number	Description	Qty	Remarks
1	1UL-14901-01-00	CARBURETOR ASSEMBLY 1	1	UR
	1UL-14901-01-00	CARBURETOR ASSEMBLY 1	1	URFOR CALIF.
2	1UJ-14902-01-00	CARBURETOR ASSEMBLY 2	1	UR
	1UL-14902-01-00	CARBURETOR ASSEMBLY 2	1	URFOR CALIF.
3	1UL-14903-01-00	CARBURETOR ASSEMBLY 3	1	UR
	1UL-14903-01-00	CARBURETOR ASSEMBLY 3	1	URFOR CALIF.
4	1UJ-19004-01-00	UNAVAILABLE IN PRICE BOOK	1	UR
	1UL-14904-01-00	CARBURETOR ASSEMBLY 4	1	URFOR CALIF.
5	12R-14105-00-00	. PILOT SCREW SET	1	
6	4U8-14933-00-00	. SPRING, DIAPHRAGM	1	
7	33M-14940-00-00	. DIAPHRAGM ASSEMBLY	1	
8	1UJ-1490J-00-00	. NEEDLE SET	1	4
	1UL-1490J-00-00	. NEEDLE SET	1	3
9	4G0-14984-00-00	. GASKET, FLOAT CHMBR	1	
10	4G0-14142-30-00	. JET, PILOT #30 (#30)	1	
11	1UJ-14141-36-00	. NOZZLE MAIN	1	
12	137-14153-00-00	. WASHER, MAIN JET	1	
13	620-1423A-70-00	. JET, MAIN #97.5 (#97.5)	1	
14	98511-04006-00	. SCREW, PAN HEAD (98501-04005)	1	
15	4G0-14985-00-00	. FLOAT	1	
16	537-14186-00-00	. PIN, FLOAT	1	
17	25G-14107-23-00	. NEEDLE VALVE SET	1	
18	2H0-14146-00-00	. PLATE	1	
19	98580-05010-00	. SCREW, PAN HEAD	4	3
20	33M-14958-00-00	. COVER, DIAPHRAGM	1	3
21	98580-05010-00	. SCREW, PAN HEAD	4	4
22	35J-14958-00-00	. COVER, DIAPHRAGM	1	4
23	33M-1410A-00-00	. STARTER SET	1	

CONTINUED ON NEXT FRAME ►

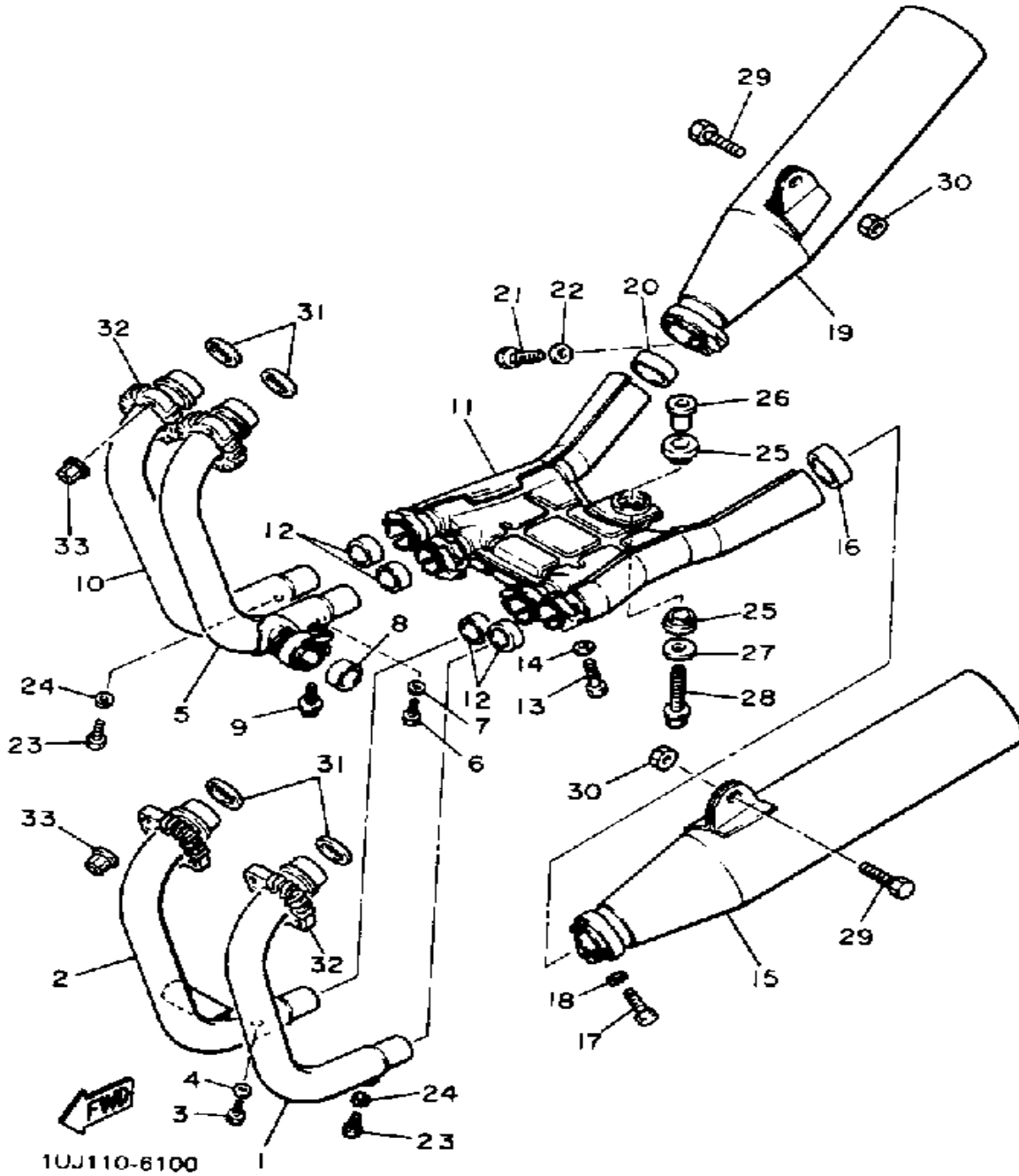
CARBURETOR



Ref. No.	Part Number	Description	Qty	Remarks
24	98503-04014-00	. SCREW, PAN HEAD	4	
25	92901-04100-00	. WASHER, SPRING	4	
26	12R-14191-00-00	. PLUG, DRAIN	1	
27	3G2-14231-27-00	. JET, MAIN (#135)	1	
28	3F9-14118-00-00	. CAP	1	
29	1UJ-1490K-01-00	STOP SCREW SET	3	
30	4G0-14130-00-00	CABLE	1	
31	31A-14103-00-00	THROTTLE SCREW SET	1	
32	4G0-14998-00-00	BUSH	1	
33	98580-05010-00	SCREW, PAN HEAD	1	
34	92990-05100-00	WASHER, SPRING	1	
35	92501-06014-00	SCREW, PAN HEAD (97801-06014)	8	8
36	4G0-14197-00-00	PIPE (2GH-14197-00-00)	2	
37	4V7-14988-00-00	PIPE, STARTER CON	2	
38	822-14147-00-00	O-RING	12	
39	98580-05010-00	SCREW, PAN HEAD	8	
40	1UJ-1490L-00-00	STARTER LEVER SET	1	
41	4G0-14988-00-00	PIPE, STARTER CON	2	
42	4U8-14988-00-00	PIPE, STARTER CON	1	

2XA110-B090

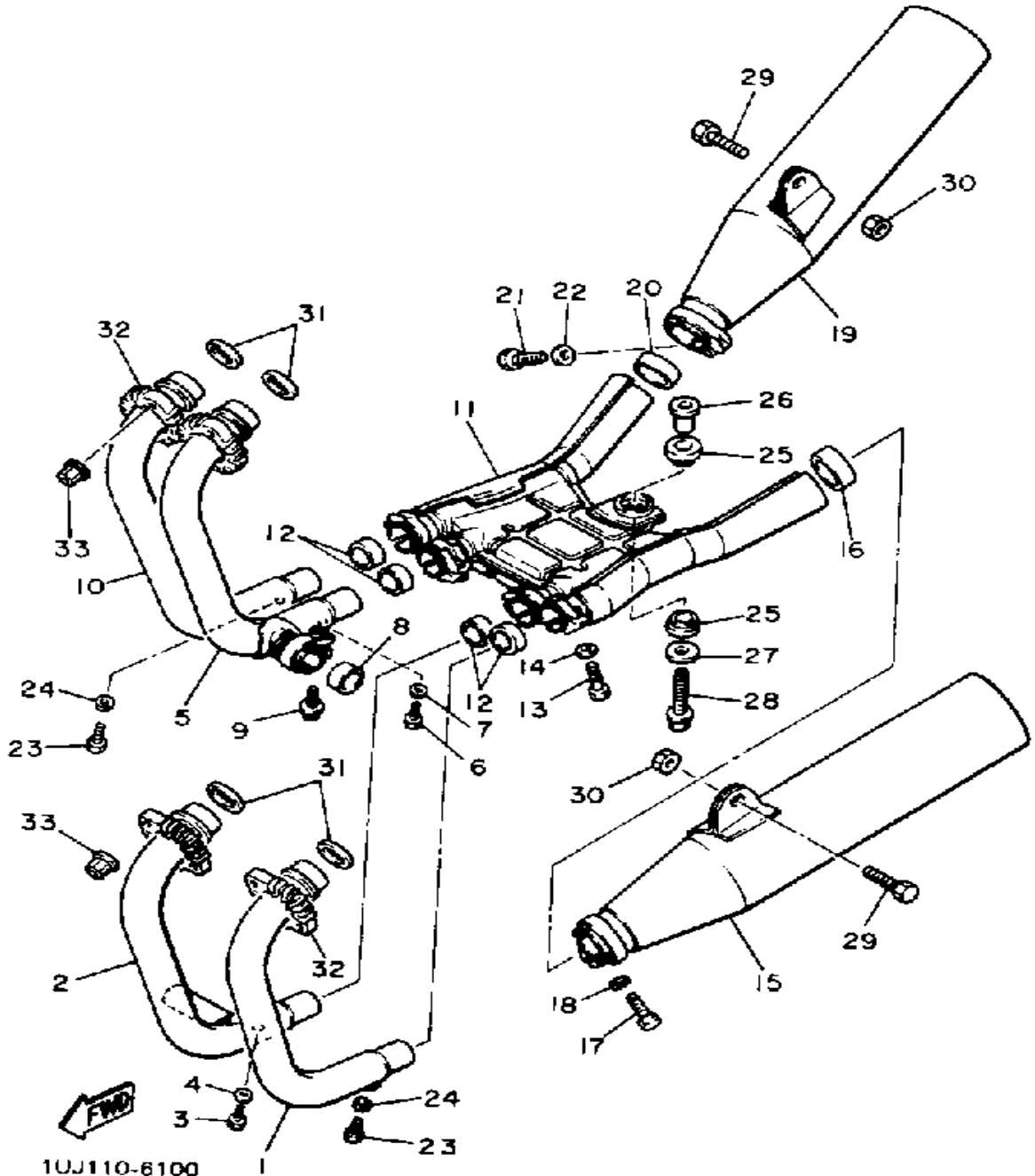
EXHAUST



Ref. No.	Part Number	Description	Qty	Remarks
1	4G0-14611-00-00	PIPE, EXHAUST L	1	
2	1UJ-14621-00-00	PIPE, EXHAUST R	1	
3	90101-06576-00	BOLT	1	
4	92990-06600-00	WASHER, PLATE	1	
5	1UJ-14631-00-00	PIPE, EXHAUST 3	1	
6	90101-06576-00	BOLT	1	
7	92990-06600-00	WASHER, PLATE	1	
8	36R-14714-01-00	GASKET, MUFFLER	1	
9	95811-08035-00	BOLT, FLANGE (95821-08035) .	1	
10	4G0-14641-00-00	PIPE, EXHAUST 4	1	
11	4G0-14615-02-00	JOINT, EXHAUST L	1	
12	4H7-14714-00-00	GASKET, muffler (DXK)	4	
13	97011-08020-00	BOLT	4	
14	92901-08600-00	WASHER	4	
15	1UJ-14711-00-00	MUFFLER L	1	
16	1L9-14714-01-00	GASKET, MUFFLER	1	
17	97011-08025-00	BOLT	1	
18	92901-08600-00	WASHER	1	
19	1UJ-14721-00-00	MUFFLER R	1	
20	1L9-14714-01-00	GASKET, MUFFLER	1	
21	97011-08025-00	BOLT	1	
22	92901-08600-00	WASHER	1	
23	90101-06576-00	BOLT	2	
24	92990-06600-00	WASHER, PLATE	2	
25	36Y-14747-00-00	DAMPER, MUFFLER	2	
26	4G0-14638-00-00	COLLAR	1	
27	90201-10669-00	WASHER, PLATE	1	
28	95811-10040-00	BOLT, FLANGE (95801-10040) .	1	
29	91311-10025-00	BOLT	2	

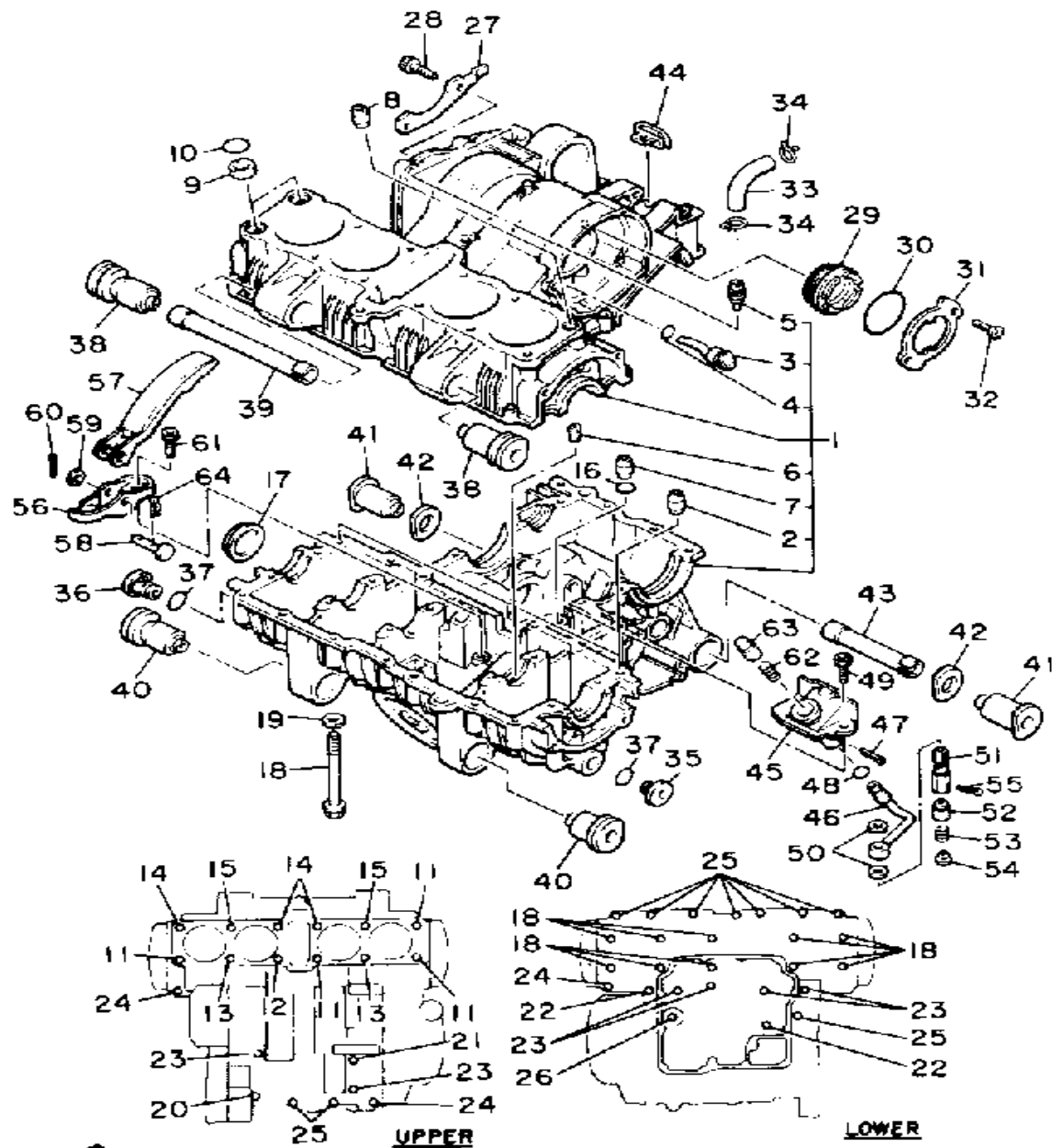
CONTINUED ON NEXT FRAME ►

EXHAUST



Ref. No.	Part Number	Description	Qty	Remarks
30	90179-10276-00	NUT, SPEC'L SHAPE	2	
31	4H7-14613-00-00	GASKET, EXST PIPE	4	
32	4H7-14612-00-00	NUT, RING	2	
33	90179-06499-00	NUT	8	

CRANKCASE

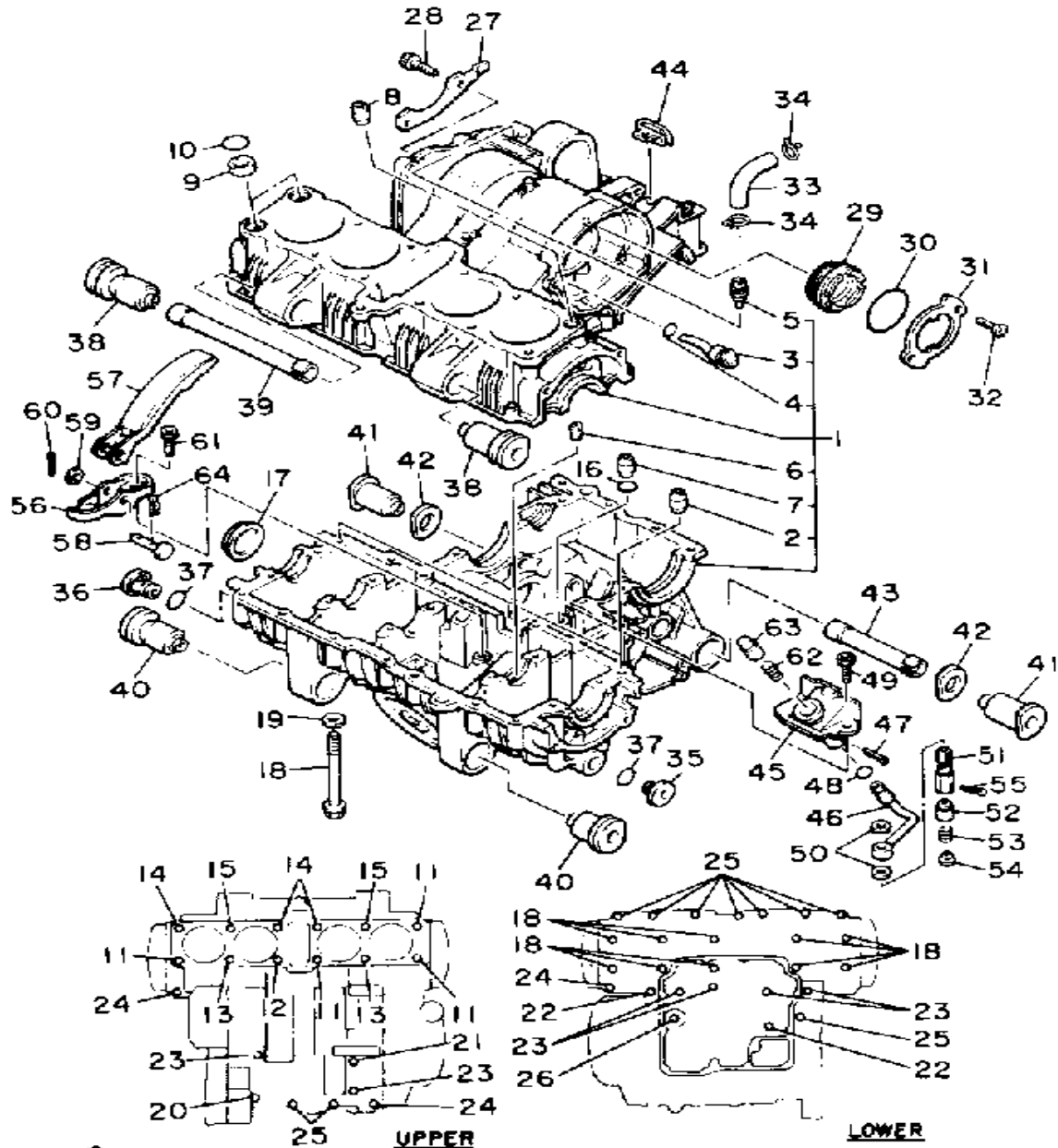


3LT110-9110

Ref. No.	Part Number	Description	Qty	Remarks
1	3LT-15100-00-00	CRANKCASE ASSEMBLY	1	
2	99510-12016-00	. PIN, DOWEL	2	
3	4G0-15148-00-00	. NOZZLE 2	1	
4	93210-11453-00	. O-RING	1	
5	371-11167-01-00	. PIPE, BREATHER 2	1	
6	4G0-15138-00-00	. NOZZLE 1	3	
7	99530-10014-00	. PIN, DOWEL	1	
8	99530-14016-00	PIN, DOWEL	1	
9	90387-16547-00	COLLAR	2	
10	93210-18322-00	O-RING	2	
11	90116-08338-00	BOLT, STUD	4	
12	90116-08339-00	BOLT, STUD	1	
13	90116-08340-00	BOLT, STUD	2	
14	4G0-11363-00-00	BOLT, CYLINDER HOLDING 3	3	
15	4G0-11364-00-00	BOLT, CYLINDER HOLDING 4	2	
16	93210-09350-00	O-RING	1	
17	4H7-15167-10-00	PLUG, BLIND 1	1	
18	95811-08100-00	BOLT	10	
19	90201-094G1-00	WASHER, PLATE	10	
20	95811-08080-00	BOLT, FLANGE	1	
21	95811-06115-00	BOLT, FLANGE	1	
22	95811-06095-00	BOLT, FLANGE	2	
23	95811-06065-00	BOLT, FLANGE	6	
24	95811-06055-00	BOLT, FLANGE (95802-06055)	3	
25	95811-06045-00	BOLT, flange (95812-06045-00)	10	
26	95811-06035-00	BOLT, FLANGE	1	
27	4G0-15381-00-00	PLATE, BRNG COVER	1	
28	91316-06016-00	BOLT, SOCKET HEAD	2	
29	4G0-15163-01-00	HOUSING, BEARING 1	1	

CONTINUED ON NEXT FRAME ►

CRANKCASE

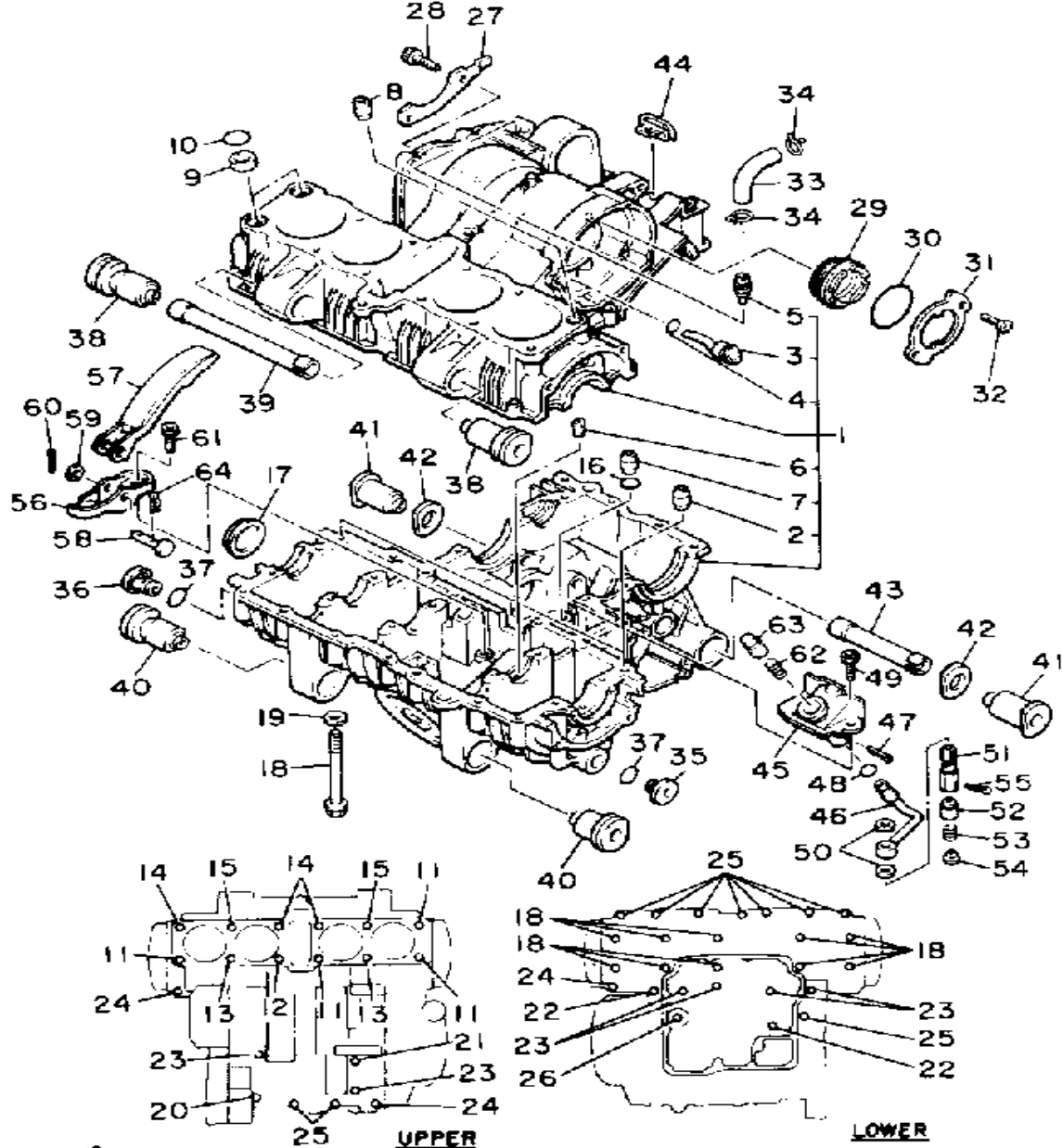


Ref. No.	Part Number	Description	Qty	Remarks
30	93210-48460-00	O-RING	1	
31	4G0-15383-00-00	PLATE, BEARING COVER	1	
32	90151-06014-00	SCREW, COUNTERSUNK	2	
33	4G0-11166-00-00	PIPE, BREATHER 1	1	
34	90467-14015-00	CLIP	2	
35	3KM-15189-00-00	PLUG	1	
36	4H7-15189-00-00	PLUG	1	
37	93210-20573-00	O-RING	2	
38	1AA-15336-00-00	DAMPER, ENGINE MOUNT 3	2	
39	(4G0-15317-00-00)	SPACER, ENG MOUNT	1	
40	1AA-15316-01-00	DAMPER, ENG MOUNT 1	2	
41	90387-125N5-00	COLLAR	2	
42	90214-28045-00	WASHER, CLAW	2	
43	4G0-15327-00-00	SPACER, ENG MOUNT	1	
44	90462-10081-00	CLAMP	1	
45	4G0-11592-00-00	TENSIONER, CHAIN	1	
46	4G0-13171-00-00	PIPE, DELIVERY 2	1	
47	91401-25020-00	PIN, COTTER	1	
48	93210-07540-00	O-RING	1	
49	90110-06158-00	BOLT, HEXAGON SOCKET HEAD	2	
50	90430-10171-00	GASKET	2	
51	4G0-11575-00-00	RELIEF VALVE ASS'Y	1	
52	4G0-11575-00-00	RELIEF VALVE ASS'Y	1	
53	90501-08614-00	SPRING, COMPRESSION	1	
54	90209-03202-00	WASHER, SPEC'L SHAP	1	
55	91490-20020-00	PIN, COTTER	1	
56	(4G0-11497-00-00)	BRACKET, TENSIONER	1	
57	4G0-11492-00-00	TENSIONER ARM COMP	1	

FWD
3LT110-9110

CONTINUED ON NEXT FRAME ►

CRANKCASE

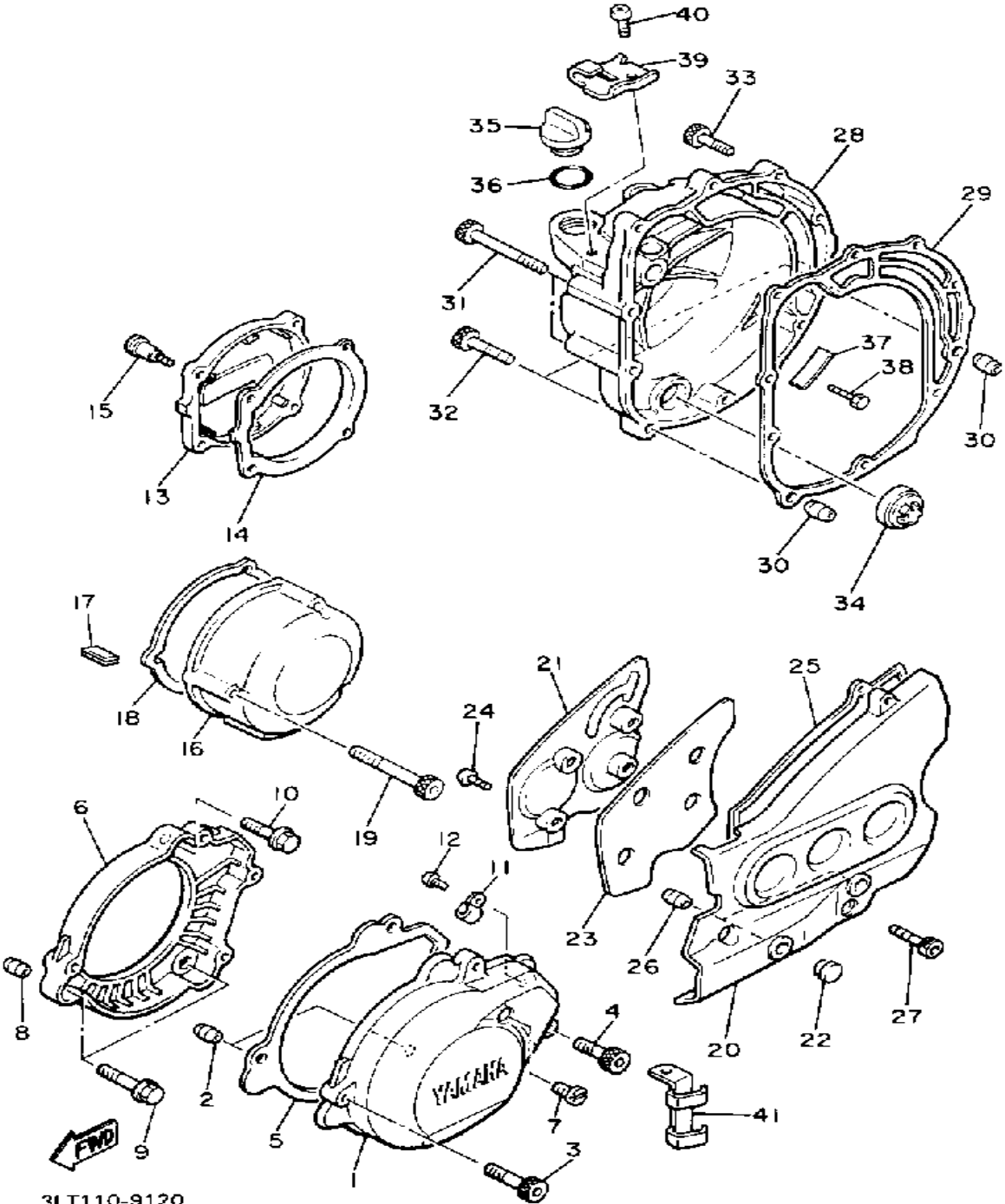


Ref. No.	Part Number	Description	Qty	Remarks
58	90240-08078-00	PIN, CLEVIS	1	
59	92901-08600-00	WASHER	1	
60	91401-25020-00	PIN, COTTER	1	
61	90110-06158-00	BOLT, HEXAGON SOCKET HEAD	2	
62	90501-143A8-00	SPRING, COMPRESSION	1	
63	46X-11597-00-00	PLUNGER, TENSIONER	1	
64	90468-18008-00	CLIP	1	



3LT110-9110

CRANKCASE COVER

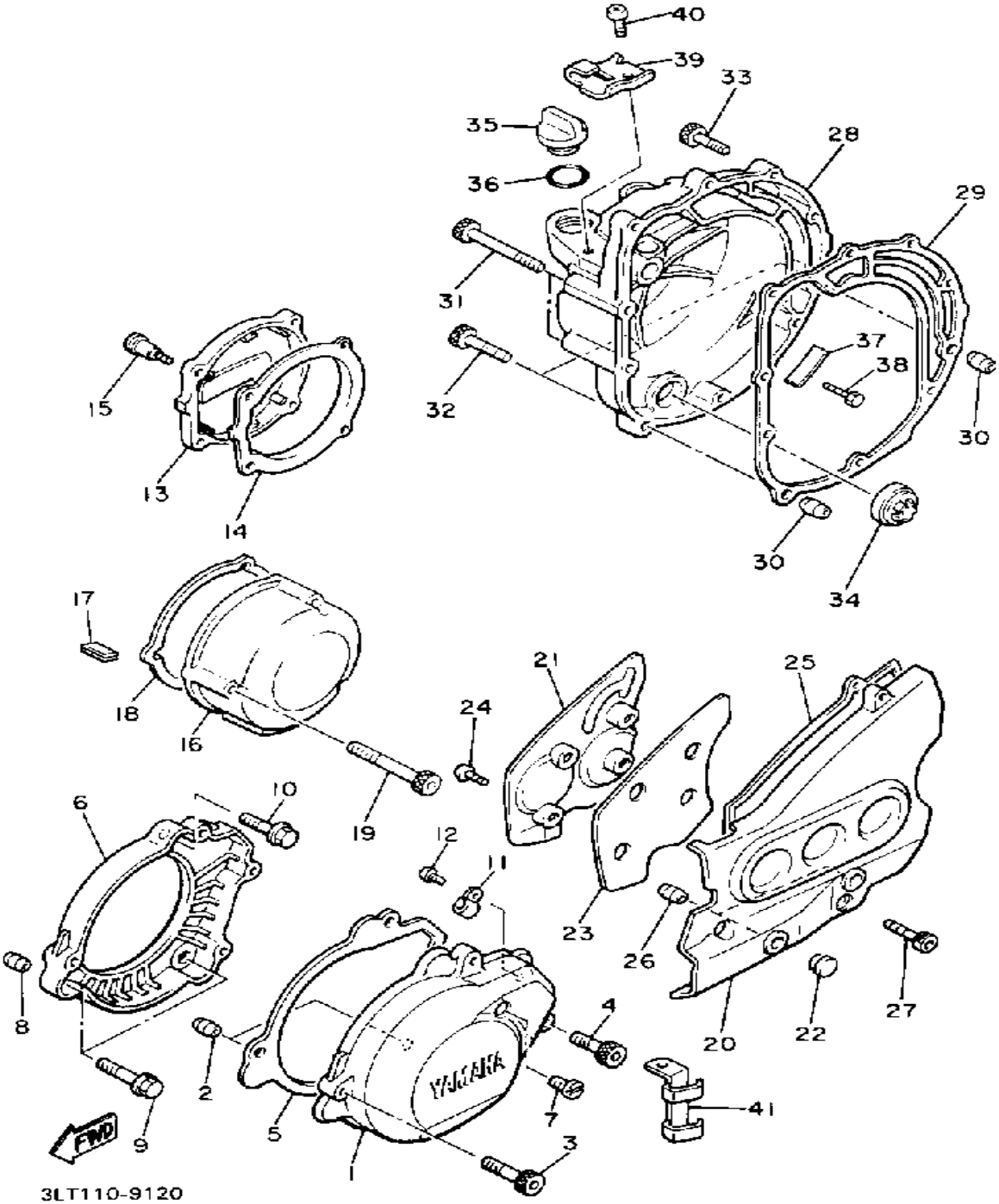


3LT110-9120

Ref. No.	Part Number	Description	Qty	Remarks
1	3KM-15415-00-00	COVER, GENERATOR	1	
2	99510-08012-00	PIN, DOWEL	2	
3	91316-06035-00	BOLT	2	
4	91316-06025-00	BOLT	2	
5	3KM-15451-00-00	GASKET, CRCS COVER	1	
6	3KM-15425-00-00	COVER, GENERATOR R	1	
7	90340-08125-00	PLUG, STRAIGHT SCRW	1	
8	99510-10114-00	PIN, DOWEL	2	
9	90105-08578-00	BOLT, WASHER BASED	2	
10	90105-08579-00	BOLT, WASHER BASED	1	
11	90462-10182-00	CLAMP	1	
12	92512-06008-00	SCREW, PAN HEAD 3KM	1	
13	1UJ-15426-00-00	COVER, OIL PUMP R	1	
14	33M-15449-00-00	RING, RUBBER	1	
15	33M-15481-10-00	BOLT 1	4	
16	2AX-15415-00-00	COVER, GENERATOR	1	
17	90480-13508-00	GROMMET	1	
18	24J-15455-00-00	GASKET 1	1	
19	91316-06070-00	BOLT, SOCKET HEAD	3	
20	1UJ-15411-00-00	COVER, CRANKCASE L	1	
21	33M-15427-00-00	COVER, CAP 2	1	
22	90338-12081-00	PLUG	1	
23	33M-15457-00-00	GASKET	1	
24	98901-05008-00	SCREW, BIND	4	
25	46X-15451-00-00	GASKET, CRCS COVER	1	
26	99530-10014-00	PIN, DOWEL	2	
27	91316-06025-00	BOLT	3	
28	49A-15421-00-00	COVER, CRANKCASE R	1	
29	3KM-15461-00-00	, 1	11	

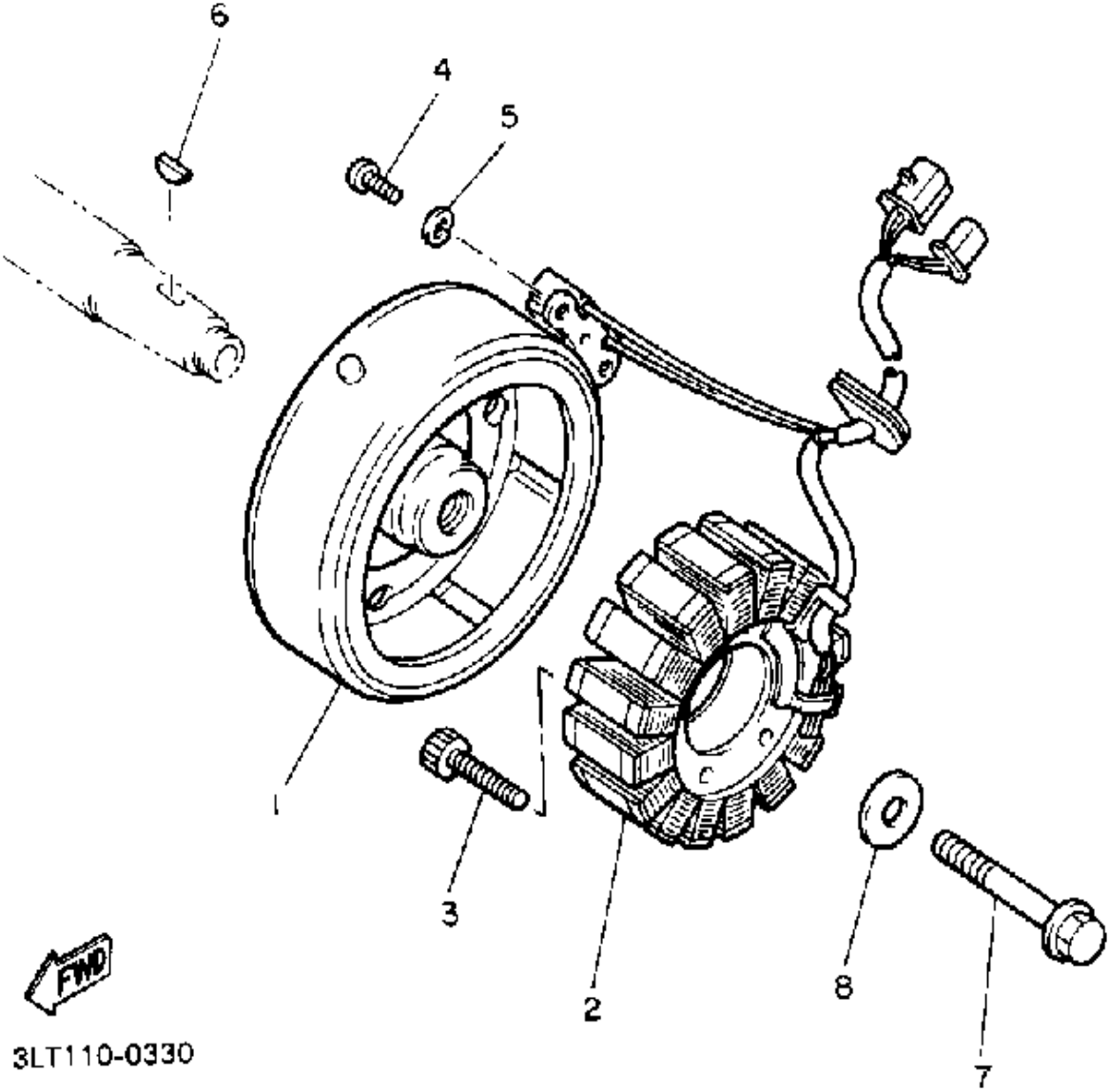
CONTINUED ON NEXT FRAME ➤

CRANKCASE COVER



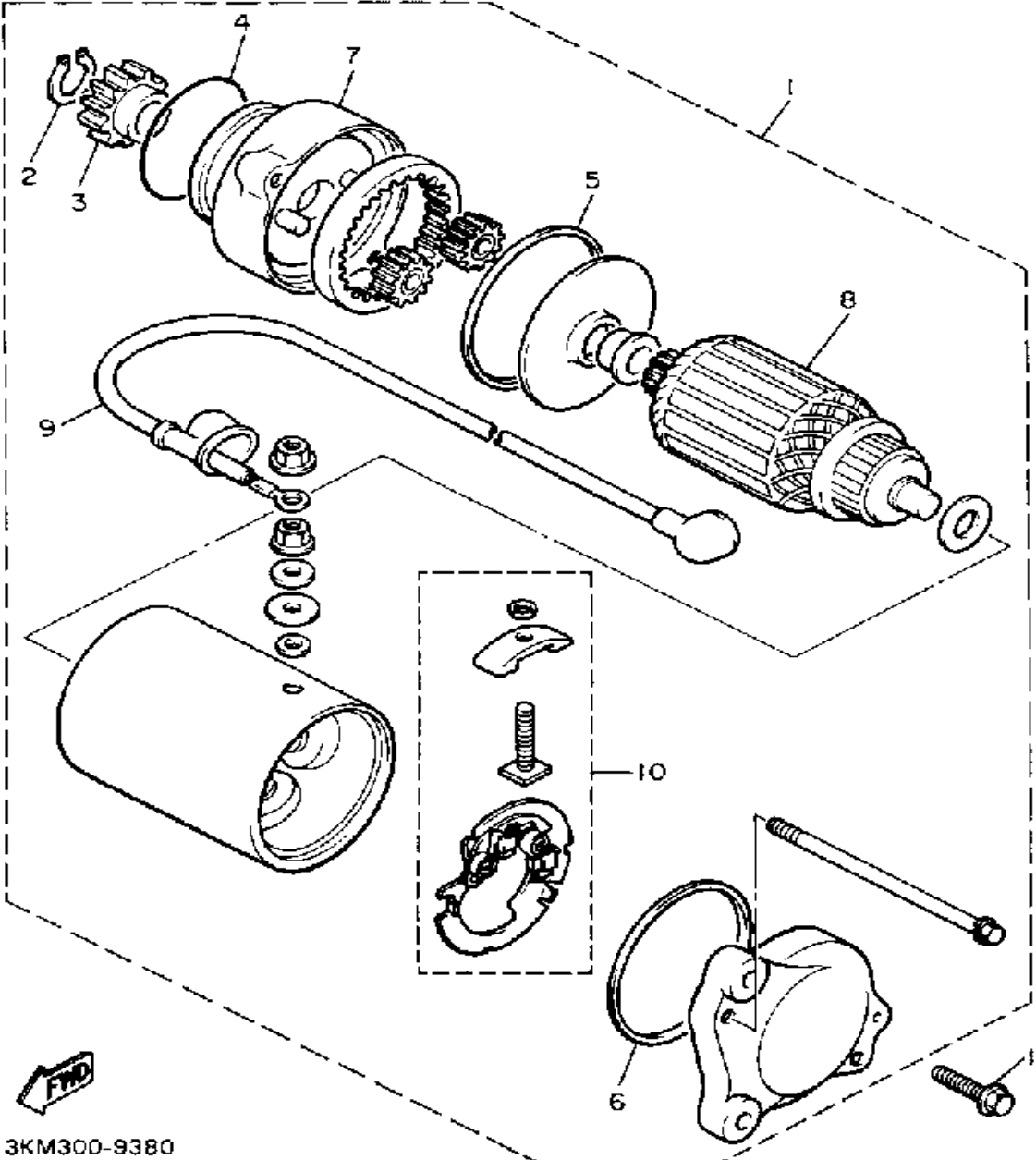
Ref. No.	Part Number	Description	Qty	Remarks
30	99530-10014-00	PIN, DOWEL	2	
31	91316-06070-00	BOLT, SOCKET HEAD	2	
32	91316-06040-00	BOLT, SOCKET HEAD	2	
33	90110-06138-00	BOLT, HEX SKT HEAD	6	
34	3KM-15361-00-00	GAUGE, LEVEL	1	
35	2H9-15363-00-00	PLUG, OIL	1	
36	93210-27778-00	O-RING	1	
37	49A-15412-00-00	PLATE, OIL GUIDE	1	
38	97021-06012-00	BOLT	2	
39	4V8-15441-00-00	HOLDER, CLCH CABLE	1	
40	98516-06012-00	SCREW, PAN HEAD	1	
41	90465-08338-00	CLAMP (3LT)	1	

GENERATOR



Ref. No.	Part Number	Description	Qty	Remarks
1	3KM-81450-00-00	ROTOR ASSEMBLY	1	
2	3KM-81410-00-00	STATOR ASSEMBLY	1	
3	91316-06035-00	BOLT	3	
4	98580-05012-00	SCREW, PAN HEAD	2	
5	92990-05100-00	WASHER, SPRING	2	
6	90280-03047-00	KEY, WOODRUFF	1	
7	90105-10430-00	BOLT, WASHER BASED	1	
8	90201-107K6-00	WASHER, PLATE	1	

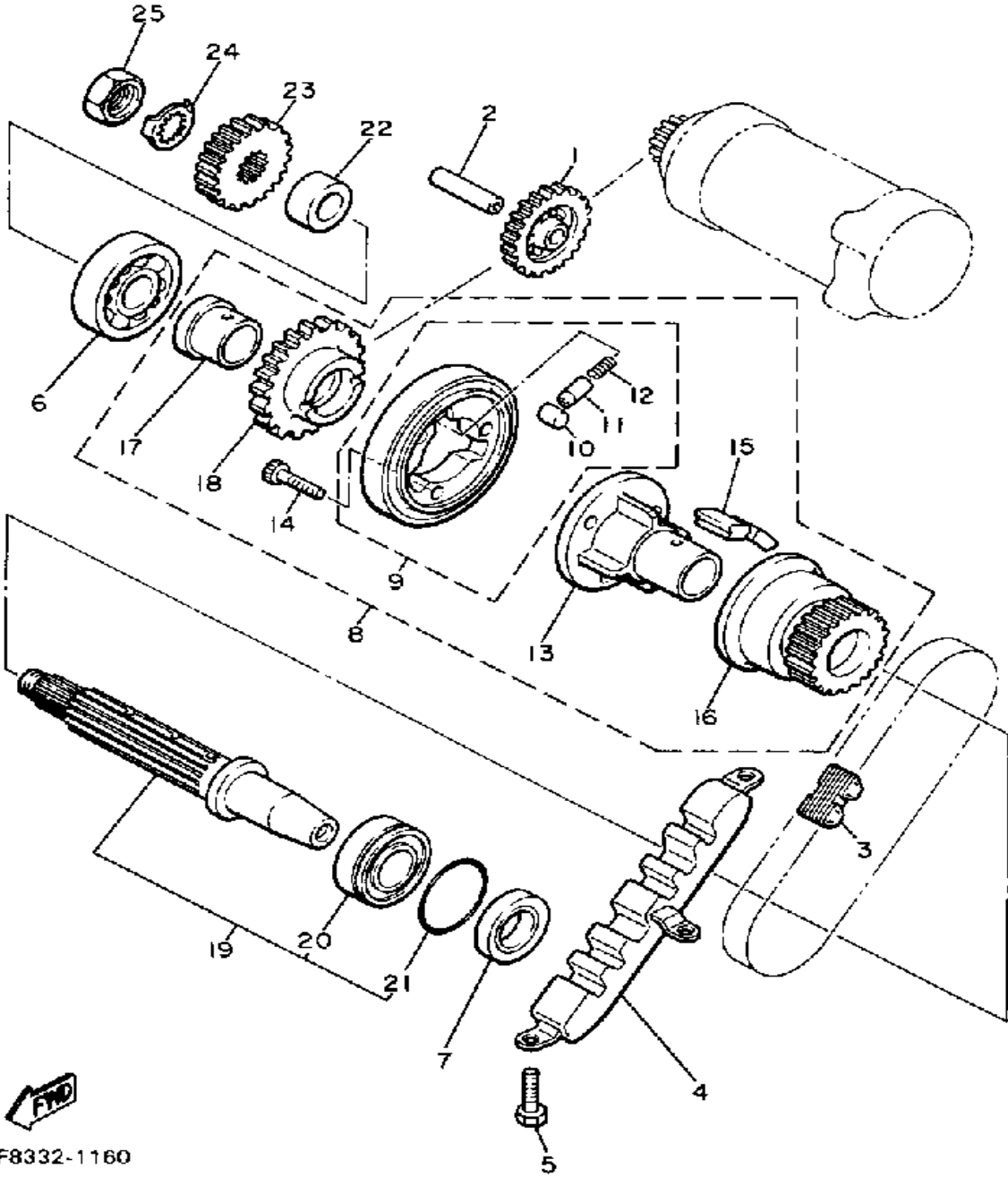
STARTING MOTOR



3KM300-9380

Ref. No.	Part Number	Description	Qty	Remarks
1	3KM-81800-00-00	STARTING MOTOR ASSEMBLY	1	
2	99009-12400-00	. CIRCLIP	1	
3	(4G0-15511-00-00)	GEAR, STARTING MTR	1	
4	11H-81847-00-00	. O-RING (4G0-81847-00-00) ...	1	
5	4G0-81844-00-00	. GASKET	1	
6	11H-81844-00-00	. GASKET	1	
7	3KM-81830-00-00	. FRONT BRACKET ASSEMBLY	1	
8	3KM-81850-00-00	. ARMATURE ASSEMBLY	1	
9	4G0-81815-00-00	. WIRE, STARTER	1	
10	3KS-81840-00-00	. BRUSH HOLDER ASSEMBLY	1	
11	95816-06025-00	BOLT, FLANGE	2	

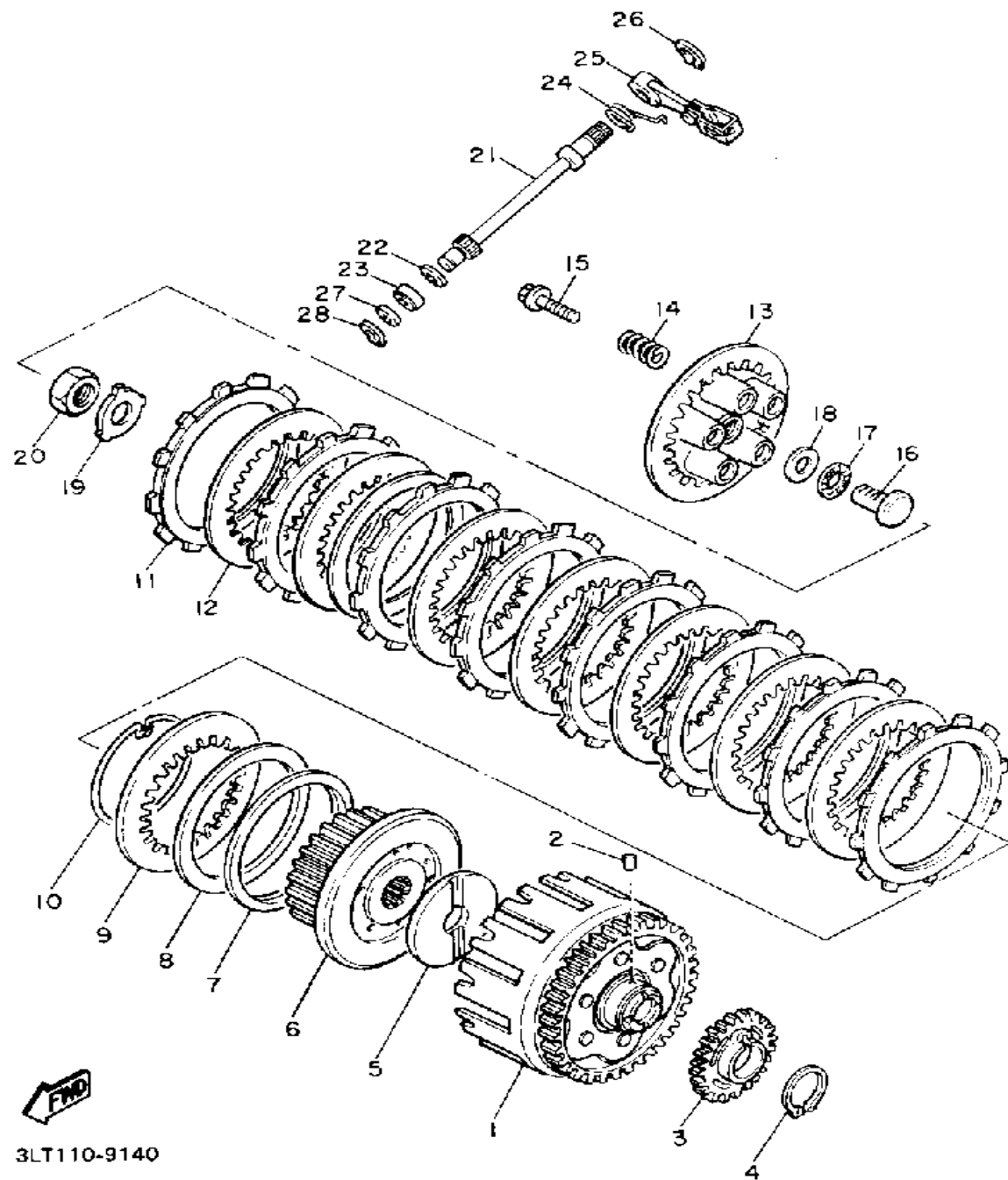
STARTER CLUTCH



Ref. No.	Part Number	Description	Qty	Remarks
1	4G0-15512-00-00	GEAR, IDLER 1	1	
2	4H7-15521-00-00	SHAFT 1	1	
3	4G0-16139-00-00	CHAIN, PRIMARY	1	
4	33M-11474-00-00	GUIDE, UPPER	1	
5	97003-06014-00	BOLT, FLANGE	3	
6	93306-30525-00	BEARING (B6305)	1	
7	93102-25253-00	OIL SEAL	1	
8	(4G0-16306-01-00)	CLUTCH DAMPER ASSEMBLY	1	
9	3GM-15580-00-00	. STARTER CLUTCH OUTER ASSEMBLY	1	
10	93615-12088-00	.. PIN, DOWEL	3	
11	1J7-15583-01-00	.. CAP, STARTER CLUTCH SPRING	3	
12	90501-04623-00	.. SPRING, COMPRESSION	3	
13	4G0-15524-01-00	. WHEEL, STARTER	1	
14	91316-08014-00	. BOLT	3	
15	4G0-16155-03-00	. ABSORBER 1	4	
16	4G0-11537-00-00	. GEAR, DRIVEN (22T)	1	
17	90387-256A1-00	. COLLAR	1	
18	4G0-15517-00-00	. GEAR, IDLER 2	1	
19	4G0-11406-00-00	SHAFT ASSEMBLY	1	
20	93306-20545-00	. BEARING	1	
21	93210-47440-00	. O-RING	1	
22	90387-216L0-00	COLLAR	1	
23	4U8-16111-00-00	GEAR, PRIMARY DRIVE (28T)	1	
24	90215-19226-00	WASHER, LOCK	1	
25	90179-16319-00	NUT	1	

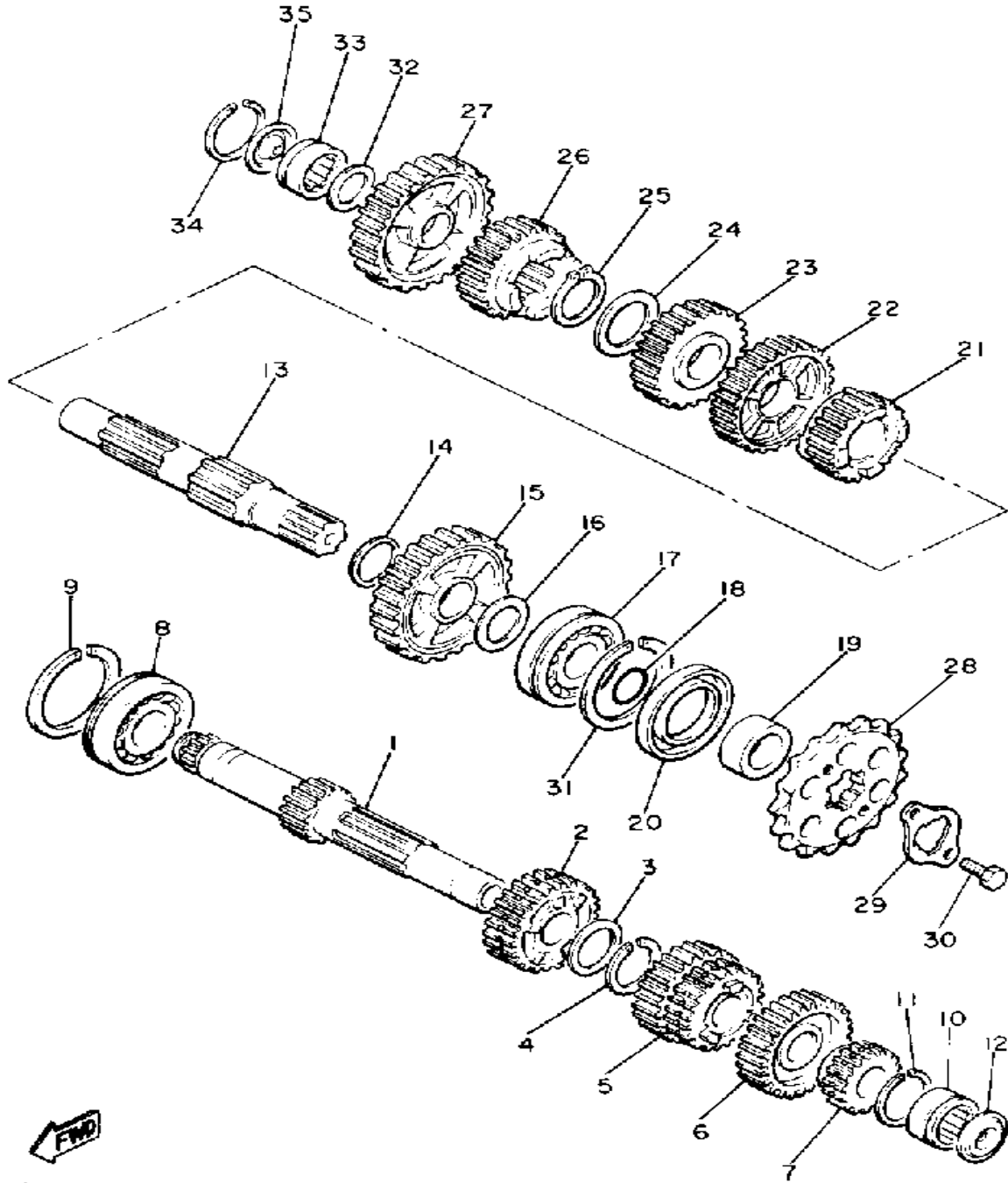
FYD
5F8332-1160

CLUTCH



Ref. No.	Part Number	Description	Qty	Remarks
1	4U8-16170-01-00	PRIMARY DRIVEN GEAR COMP (65T)	1	
2	93605-10108-00	PIN, DOWEL	1	
3	4G0-13324-09-00	GEAR, PUMP DRIVE	1	
4	93410-40059-00	CIRCLIP	1	
5	3Y1-16154-00-00	PLATE, THRUST 1	1	
6	4H7-16371-01-00	BOSS, CLUTCH	1	
7	1J7-16384-00-00	PLATE, SEAT	1	
8	1J7-16383-01-00	SPRING, CLUTCH BOSS	1	
9	168-16324-00-00	PLATE, CLUTCH 1	1	
10	1J7-16385-00-00	RING, CLUTCH BOSS	1	
11	4H7-16321-01-00	PLATE, FRICTION	8	
12	371-16325-00-00	PLATE, CLUTCH 2	7	
13	4H7-16351-00-00	PLATE, PRESSURE 1	1	
14	90501-23391-00	SPRING, COMPRESSION	5	
15	90159-06092-00	SCREW, WITH WASHER	5	
16	4H7-16356-01-00	ROD, PUSH 1	1	
17	93340-21505-00	BEARING	1	
18	90201-154E9-00	WASHER, PLATE	1	
19	90215-20231-00	WASHER, LOCK	1	
20	90170-20327-00	NUT	1	
21	4G0-16382-00-00	AXLE, PUSH LEVER	1	
22	90201-12M34-00	WASHER, PLATE	1	
23	93102-12224-00	OIL SEAL	1	
24	90508-16459-00	SPRING, TORSION	1	
25	4G0-16340-01-00	PUSH LEVER ASSEMBLY	1	
26	99001-09600-00	CIRCLIP	1	
27	90201-09572-00	WASHER, PLATE	1	
28	99001-08600-00	CIRCLIP	1	

TRANSMISSION

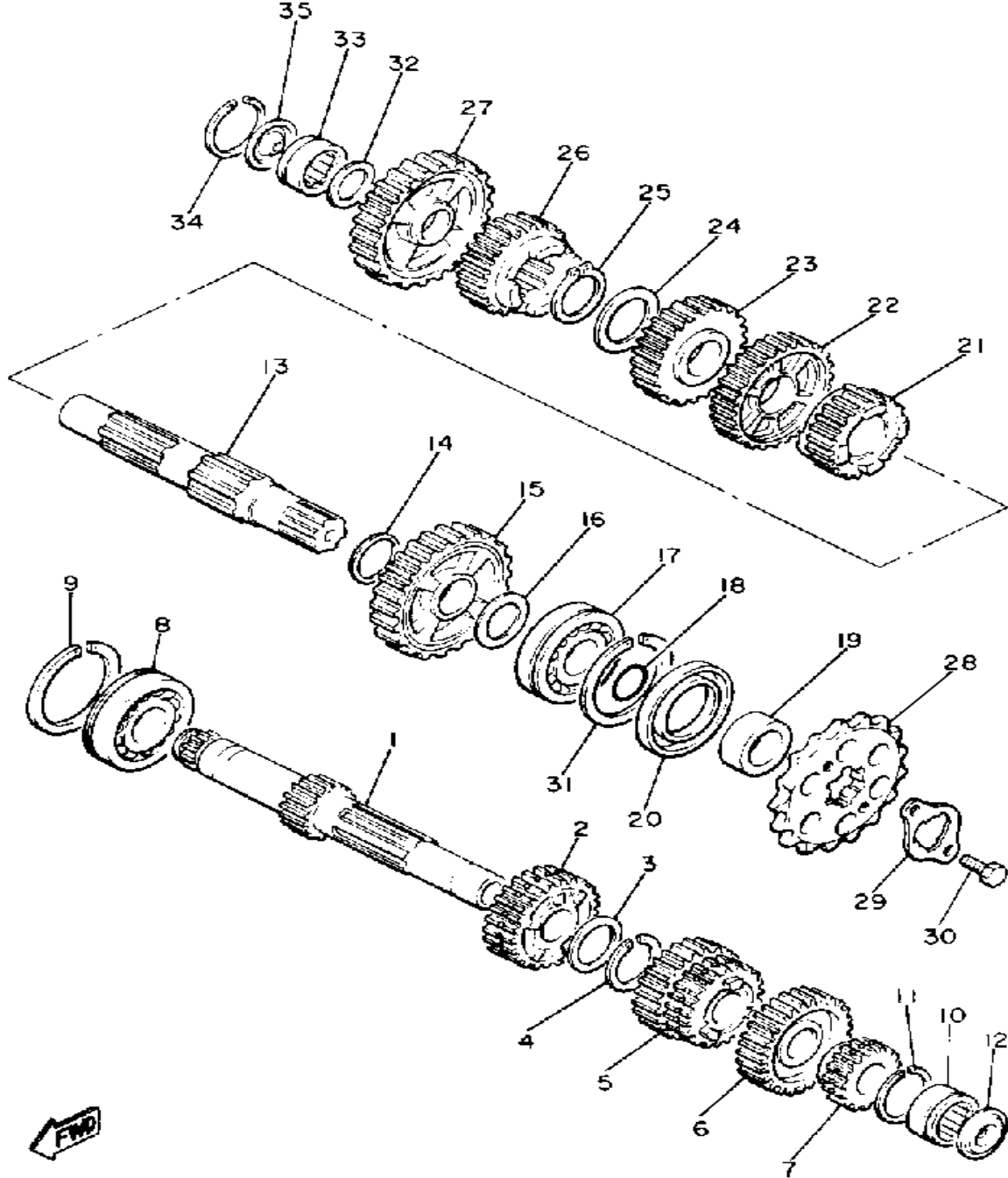


2XA110-8150

Ref. No.	Part Number	Description	Qty	Remarks
1	4G0-17411-00-KT	DRIVE AXLE KIT (15T) (4G0-17411-00-00)	1	
2	4U8-17151-01-00	GEAR, 5TH PINION (28T)	1	
3	90209-22191-00	WASHER	1	
4	93440-25084-00	CIRCLIP	1	
5	4U8-17131-00-00	GEAR, 3RD PINION (22/25T)	1	
6	4U8-17161-00-00	GEAR, 6TH PINION (30T)	1	
7	4U8-17121-01-00	GEAR, 2ND PINION	1	
8	93306-30530-00	BEARING (6305NC3)	1	
9	278-17424-01-00	CIRCLIP 1	1	
10	93311-42045-00	BEARING (20NG3315NE)	1	
11	278-17425-00-00	CIRCLIP 2	1	
12	4G0-17433-01-00	NOZZLE	1	
13	4G0-17421-00-00	AXLE, DRIVE	1	
14	90201-273A9-00	WASHER, PLATE	1	
15	4G0-17221-00-00	GEAR, 2ND WHEEL (37T)	1	
16	90201-256K6-00	WASHER, PLATE (0.9T)	1	
17	93306-30550-00	BEARING	1	
18	93210-22298-00	O-RING	1	
19	90387-257A3-00	COLLAR	1	
20	93102-35109-00	OIL SEAL (SD-35-62-6 HS)	1	
21	4G0-17261-01-00	GEAR, 6TH WHEEL (27T)	1	
22	4G0-17231-01-00	GEAR, 3RD WHEEL (34T)	1	
23	4G0-17241-01-00	GEAR, 4TH WHEEL (31T)	1	
24	90209-22191-00	WASHER	1	
25	93440-25084-00	CIRCLIP	1	
26	12R-17251-00-00	GEAR, 5TH WHEEL (29T)	1	
27	4G0-17211-00-00	GEAR, 1ST WHEEL (41T)	1	
28	49A-17460-00-00	SPROCKET, DRIVE 16T (49A1746161)	1	

CONTINUED ON NEXT FRAME ➤

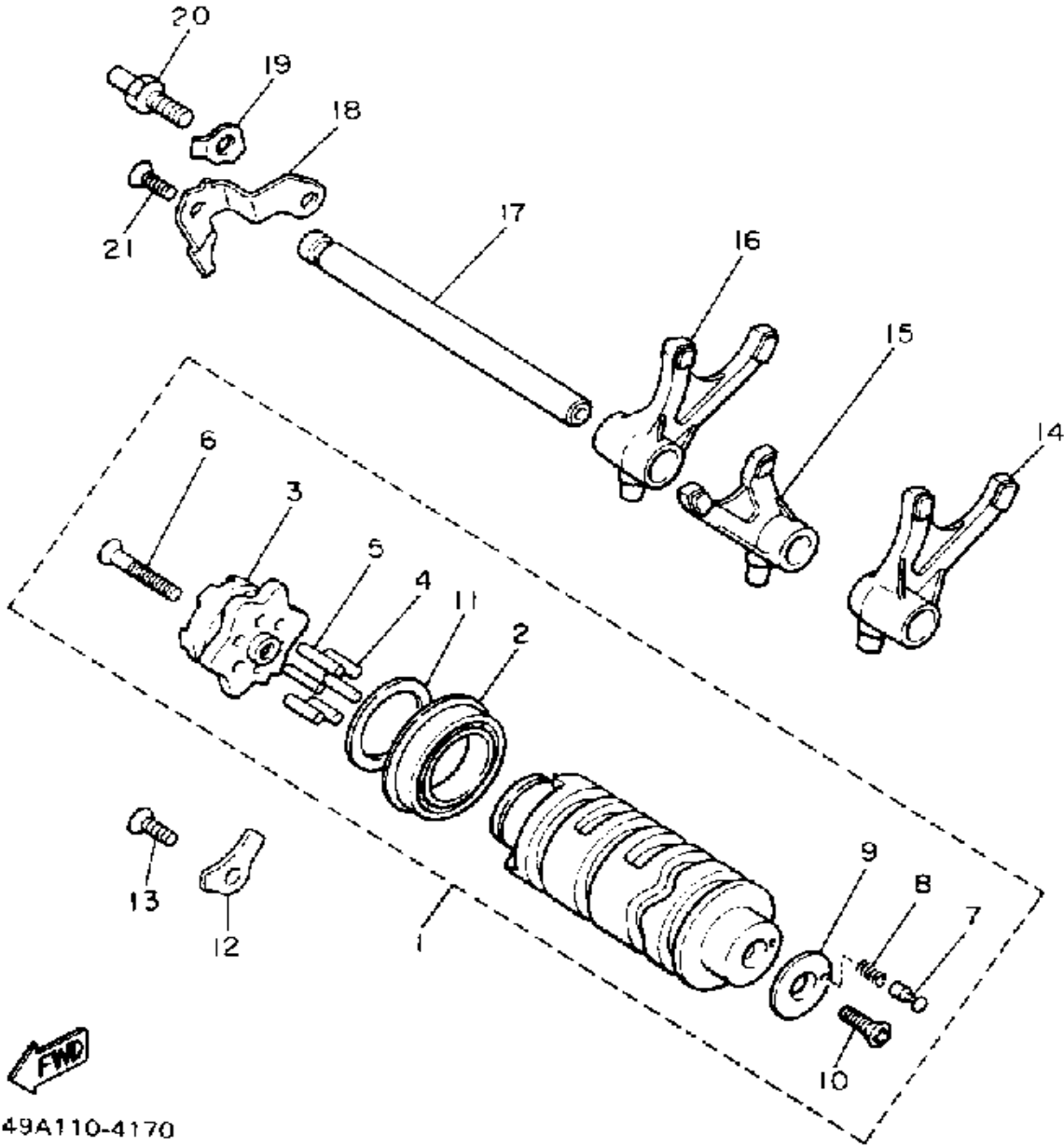
TRANSMISSION



2XA110-8150

Ref. No.	Part Number	Description	Qty	Remarks
29	3Y1-17456-00-00	HOLDER, SPROCKET	1	
30	97021-06012-00	BOLT	2	
31	278-17424-01-00	CIRCLIP 1	1	
32	90201-20276-00	WASHER, PLATE (1.0T)	1	
33	93311-42045-00	BEARING (20NG3315NE)	1	
34	278-17425-00-00	CIRCLIP 2	1	
35	4G0-17433-01-00	NOZZLE	1	

SHIFT CAM - FORK

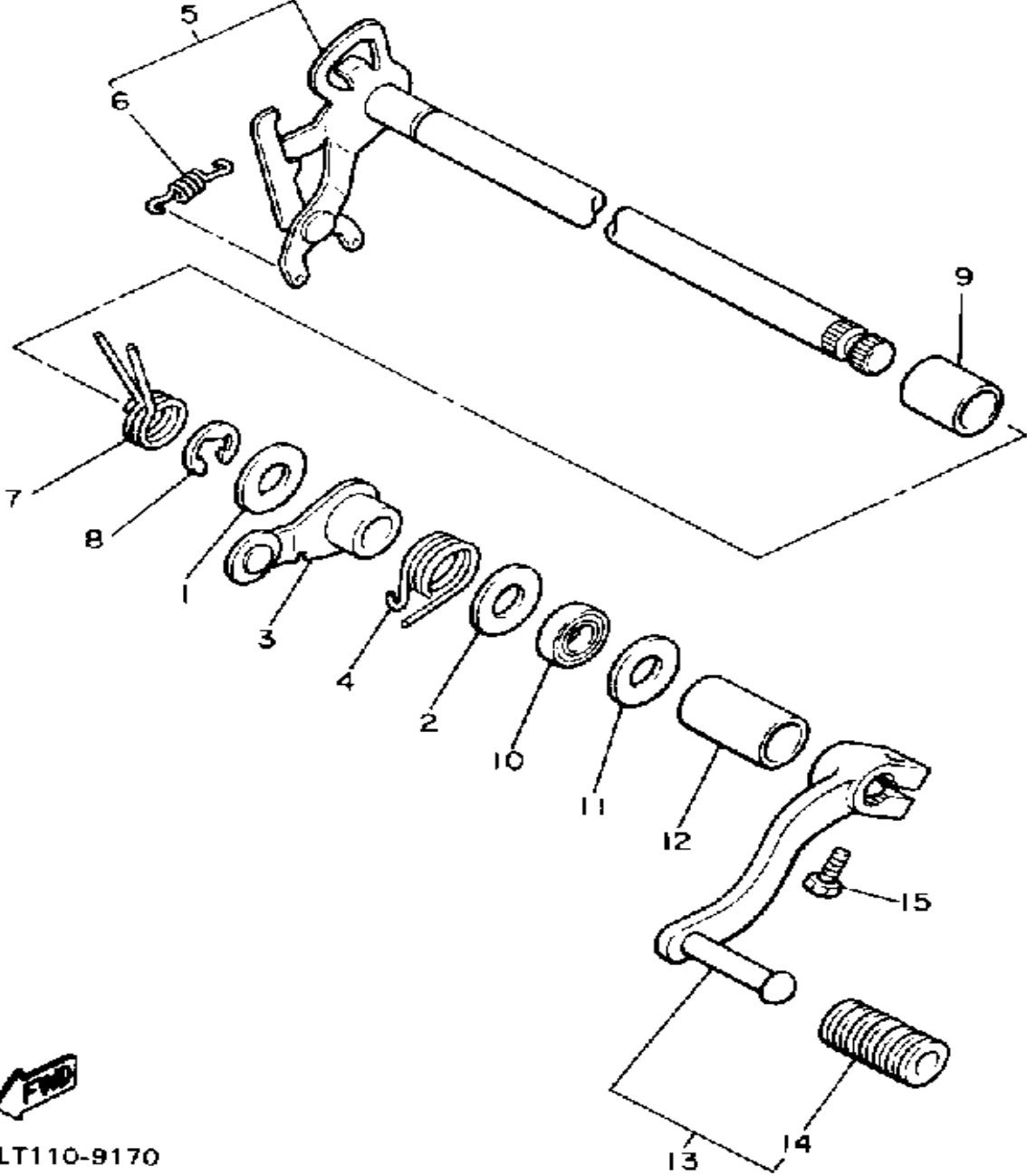


Ref. No.	Part Number	Description	Qty	Remarks
1	49A-18540-00-00	SHIFT CAM ASSEMBLY	1	
2	93306-90501-00	. BEARING	1	
3	(49A-18185-00-00)	SEGMENT	1	
4	93604-10011-00	. PIN, DOWEL	1	
5	93604-16092-00	. PIN, DOWEL	5	
6	90151-06013-00	. SCREW, COUNTERSUNK	1	
7	278-18542-00-00	. POINT, NEUTRAL	1	
8	90501-06022-00	. SPRING, COMPRESSION	1	
9	278-18566-00-00	. PLATE, SIDE 2	1	
10	98701-05016-00	. SCREW, FLAT HEAD	1	
11	90201-253K0-00	. WASHER, PLATE (T=1.0)	1	
12	49A-15383-00-00	PLATE, BEARING COVER	1	
13	98701-06012-00	SCREW, FLAT HEAD (92701-06012)	1	
14	49A-18511-00-00	FORK, SHIFT 1	1	
15	49A-18512-00-00	FORK, SHIFT 2	1	
16	49A-18513-00-00	FORK, SHIFT 3	1	
17	4G0-18531-00-00	BAR, SHIF FRK GDE 1	1	
18	49A-18536-00-00	STOPPER, SHIFT BAR	1	
19	90215-08240-00	WASHER, LOCK	1	
20	4G0-18127-00-00	STOPPER, SCREW	1	
21	98701-06014-00	SCREW, FLAT HEAD	1	

FWD

49A110-4170

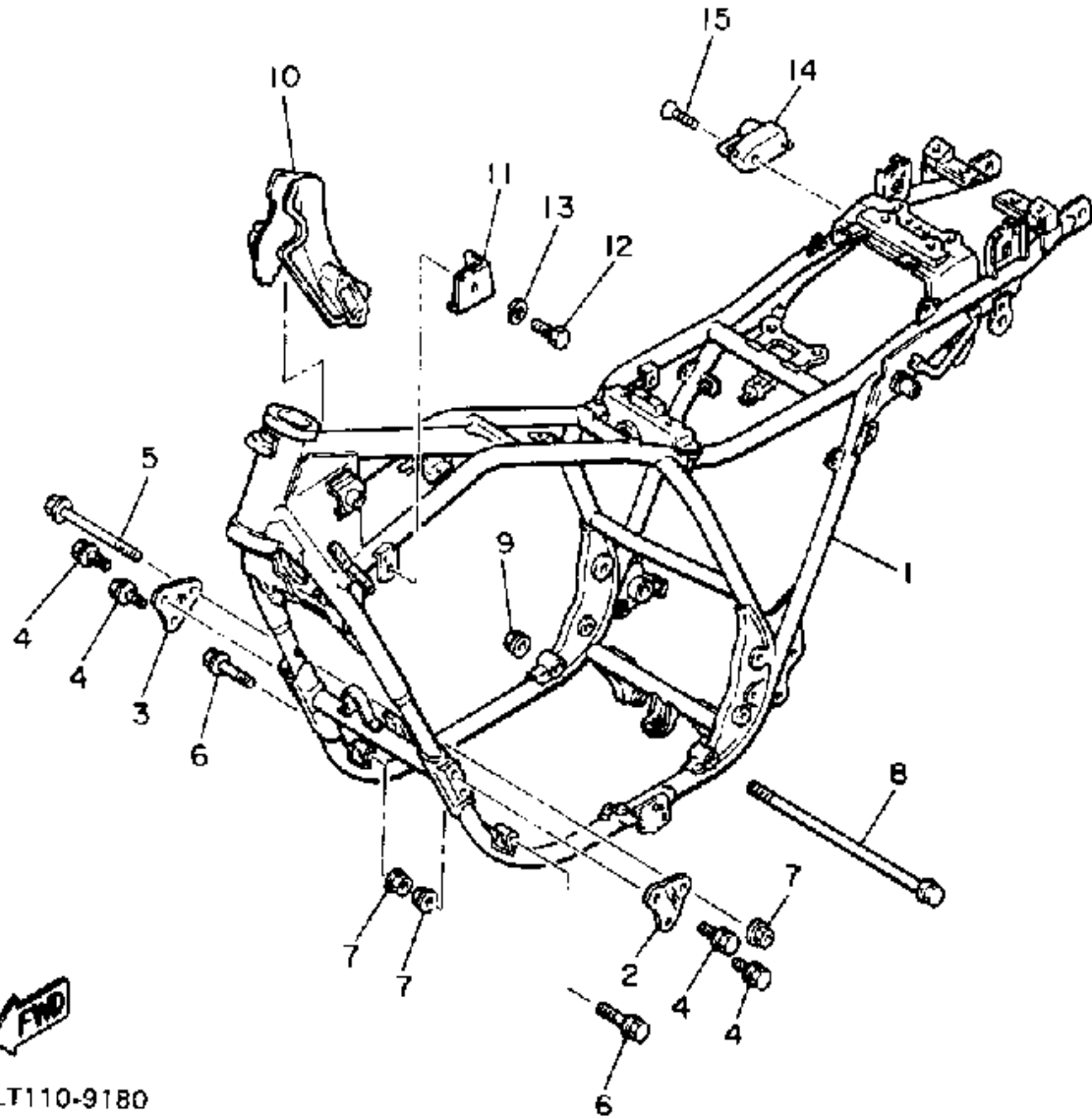
SHIFT SHAFT



Ref. No.	Part Number	Description	Qty	Remarks
1	90201-12588-00	WASHER, PLATE	1	
2	90201-12190-00	WASHER, PLATE	1	
3	4G0-18140-00-00	STOPPER LEVER ASSEMBLY .	1	
4	90508-29640-00	SPRING, TORSION	1	
5	4G0-18120-01-00	SHIFT LEVER ASSEMBLY	1	
6	90506-08227-00	. SPRING, TENSION	1	
7	90508-32534-00	SPRING, TORSION	1	
8	99006-10600-00	CIRCLIP	1	
9	90387-124F4-00	COLLAR	1	
10	93102-12321-00	OIL SEAL, SD-TYPE	1	
11	90201-12575-00	WASHER, PLATE	1	
12	90387-125A8-00	COLLAR	1	
13	3LT-18110-00-00	SHIFT PEDAL ASSEMBLY	1	
14	132-18113-01-00	. COVER, SHIFT PEDAL	1	
15	97011-06020-00	BOLT	1	

 3LT110-9170

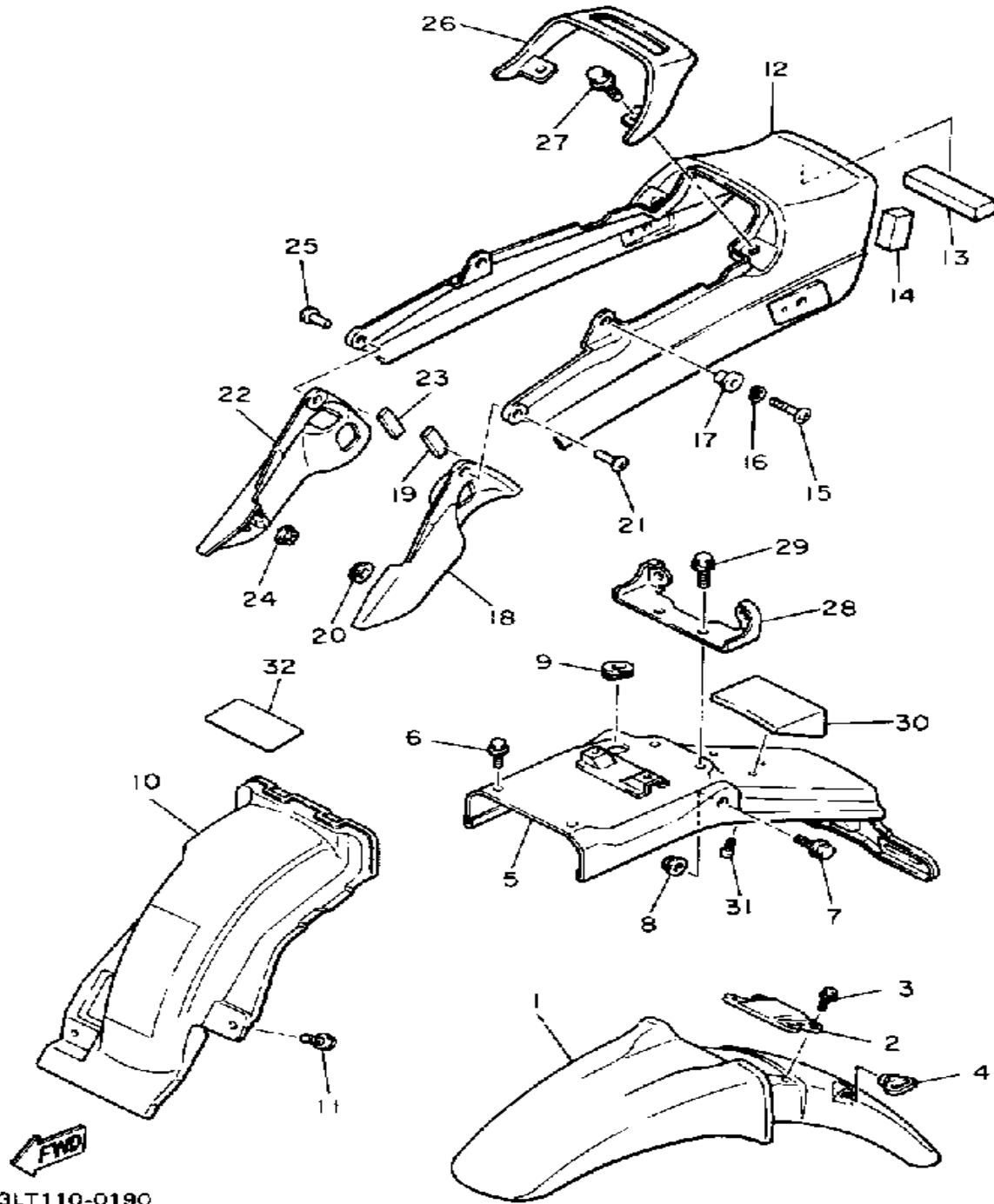
FRAME



3LT110-9180

Ref. No.	Part Number	Description	Qty	Remarks
1	3LT-21110-00-33	FRAME	1	UR YAMAHABLK FOR CALIF
	3LT-21110-10-33	FRAME	1	UR YAMAHABLK NON-CALIF
2	4G0-21315-00-R4	STAY, ENGINE 2	1	BLACK
3	4G0-21316-00-R4	STAY, ENGINE 3	1	BLACK
4	90105-08155-00	BOLT, WASHER BASED	4	
5	90105-10401-00	BOLT, WASHER BASED	1	
6	90105-10170-00	BOLT, WASHER BASED	2	
7	90179-10247-00	NUT	3	
8	90105-12171-00	BOLT, WASHER BASED	1	
9	90179-12421-00	NUT, SPEC'L SHAPE	1	
10	5K5-2139R-01-00	COVER 2	1	
11	(5K5-2134Y-00-00)	STAY, HORN	1	
12	97026-08012-00	BOLT	1	
13	92906-08100-00	WASHER, SPRING	1	
14	26H-21308-00-00	HELMET HANGER ASSEMBLY (4R8-21308-00)	1	
15	90149-06150-00	SCREW	1	

FENDER

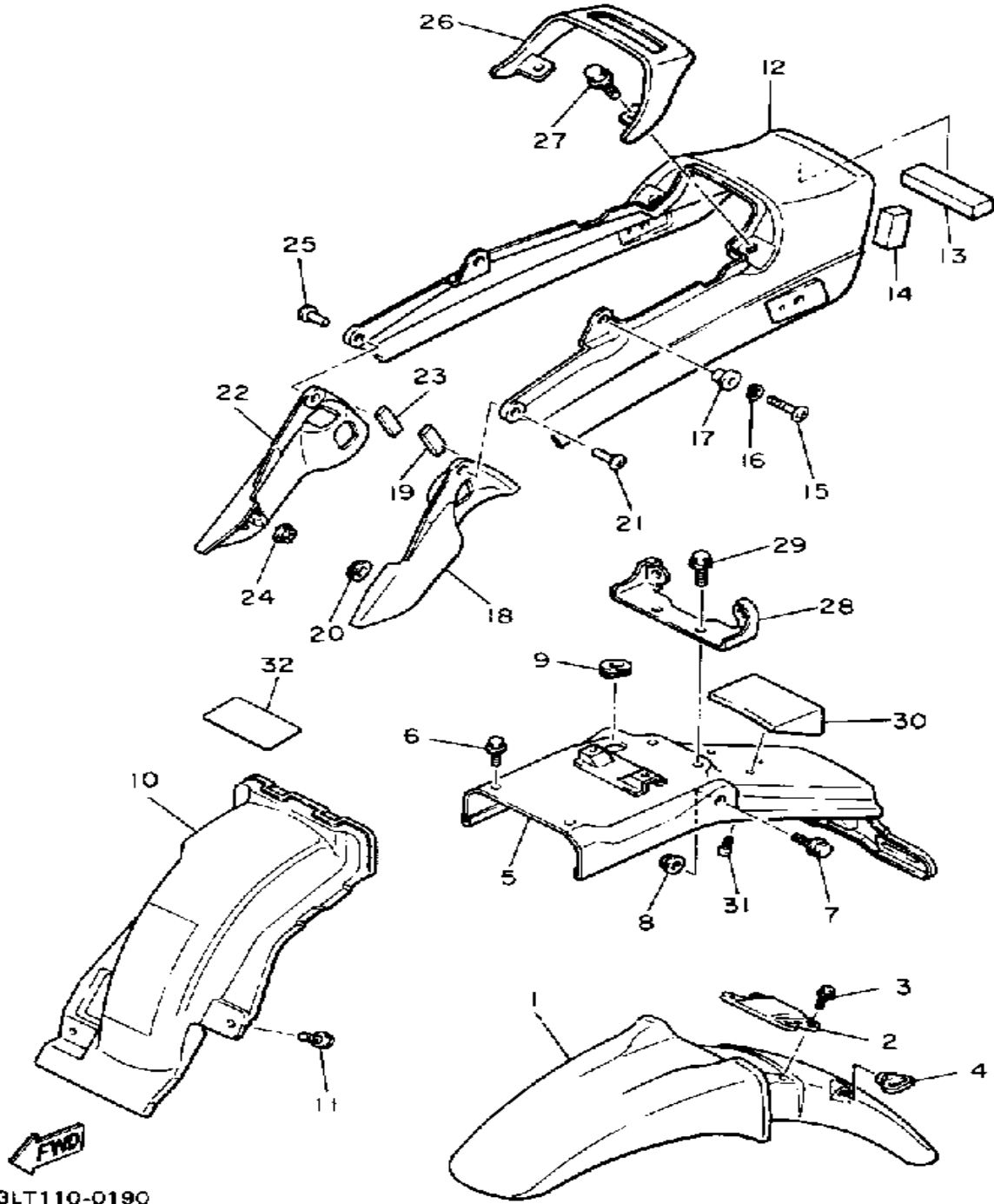


3LT110-0190

Ref. No.	Part Number	Description	Qty	Remarks
1	1UJ-21510-00-1X	FENDER, FRONT	1	UR BLACKMETTALLIC
	1UJ-21510-00-LG	FENDER, FRONT	1	UR APPLE RED
2	1UJ-2313A-00-00	BRACE, FORK	1	
3	95023-06025-00	BOLT, FLANGE	4	
4	1A8-21518-00-00	HOLDER, CABLE	1	
5	3LT-21610-00-93	FENDER, REAR	1	
6	95811-06010-00	BOLT, FLANGE	2	
7	95811-08016-00	BOLT, FLANGE	4	
8	95701-08500-00	NUT, FLANGE	1	
9	90480-15061-00	GROMMET	1	
10	4G0-21629-00-00	GUARD, MUD	1	
11	90119-06108-00	BOLT, WITH WASHER	2	
12	1UJ-21651-00-LG	COVER, REAR FENDER	1	UR APPLE RED
	1UJ-21651-00-P0	COVER, REAR FENDER	1	
13	1UJ-21649-00-00	DAMPER	1	
14	1KT-21717-00-00	DAMPER, SIDE COVER	2	
15	98506-06016-00	SCREW, PANHEAD	2	
16	92906-06100-00	WASHER, SPRING	2	
17	90387-062M9-00	COLLAR	2	
18	1UJ-2163E-00-LG	COVER, REAR FNDR 3	1	UR APPLE RED
	1UJ-2163E-00-P0	COVER, REAR FNDR 3	1	
19	1UJ-21639-00-00	DAMPER 2	1	
20	90480-01401-00	GROMMET	1	
21	90269-06046-00	RIVET	1	
22	1UJ-2163F-00-LG	COVER, REAR FEND 3	1	UR APPLE RED
	1UJ-2163F-00-P0	COVER, REAR FEND 3	1	
23	1UJ-21639-00-00	DAMPER 2	1	
24	90480-01401-00	GROMMET	1	

CONTINUED ON NEXT FRAME ►

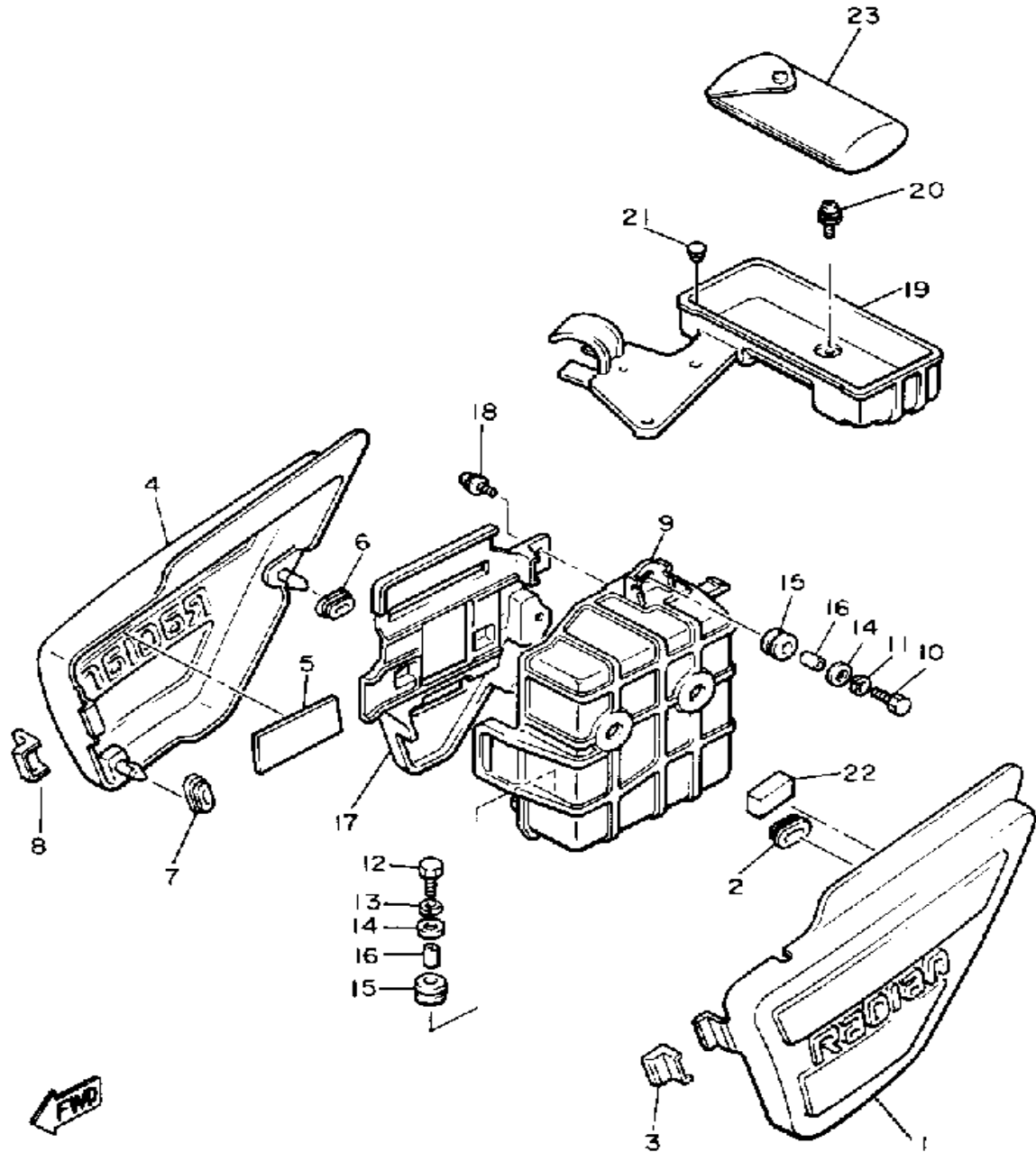
FENDER



3LT110-0190

Ref. No.	Part Number	Description	Qty	Remarks
25	90269-06046-00	RIVET	1	
26	3LT-21645-00-00	STAY, REAR	1	
27	95811-10025-00	BOLT, FLANGE	2	
28	1UJ-2161A-00-00	BRACKET	1	
29	95811-06010-00	BOLT, FLANGE	2	
30	1UF-2163A-00-00	COVER, REAR FENDER	1	
31	97702-40608-00	SCREW, TAPPING	3	
32	3LT-2179R-10-00	PLATE, EPA CAL 2	1	
	3LT-2179V-10-00	PLATE, EPA U 9	1	

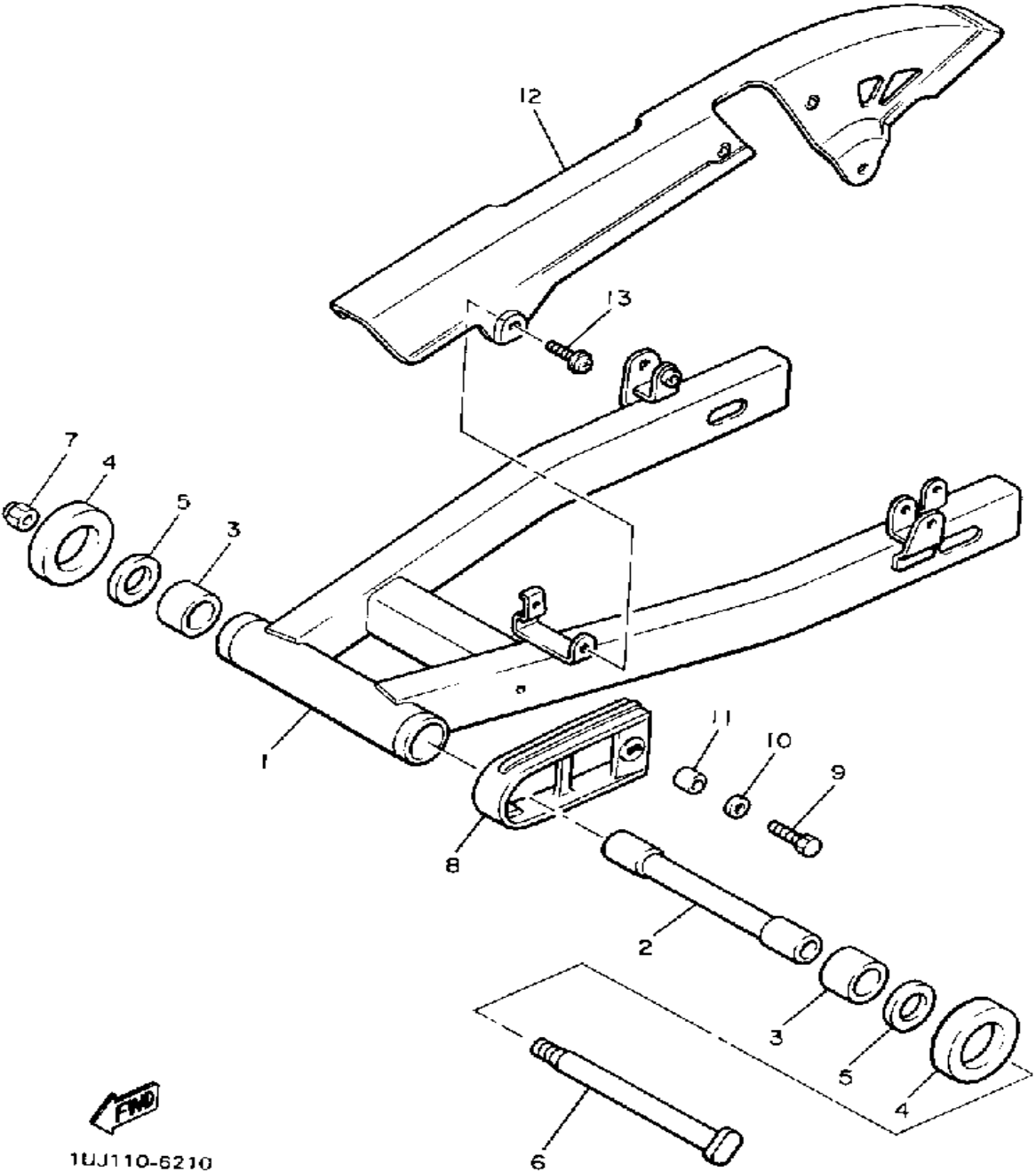
SIDE COVER



3LT110-B200

Ref. No.	Part Number	Description	Qty	Remarks
1	1UJ-21711-00-00	COVER, SIDE 1	1	
2	466-21717-00-00	DAMPER, SIDE COVER	1	
	90480-01401-00	GROMMET	2	
4	1UJ-21721-00-00	COVER, SIDE 2	1	
5	2JG-21638-00-00	DAMPER 1	1	
6	90480-01401-00	GROMMET	1	
7	90480-01401-00	GROMMET	1	
8	466-21717-00-00	DAMPER, SIDE COVER	1	
9	4G0-21170-01-00	BOX	1	
10	97011-06020-00	BOLT	1	
11	92995-06100-00	WASHER, SPRING	1	
12	97011-06025-00	BOLT (97001-06025)	2	
13	92995-06100-00	WASHER, SPRING	2	
14	90201-063J2-00	WASHER, PLATE	3	
15	90480-16233-00	GROMMET	3	
16	90387-060A7-00	COLLAR	3	
17	3LT-28185-00-00	LID	1	
18	90159-06082-00	SCREW, WITH WASHER	2	
19	3LT-21171-00-00	BOX, TOOL	1	
20	90159-06082-00	SCREW, WITH WASHER	1	
21	1J7-21717-00-00	DAMPER	2	
22	1KT-21717-00-00	DAMPER, SIDE COVER	1	
23	46X-W2810-00-00	TOOL KIT	1	

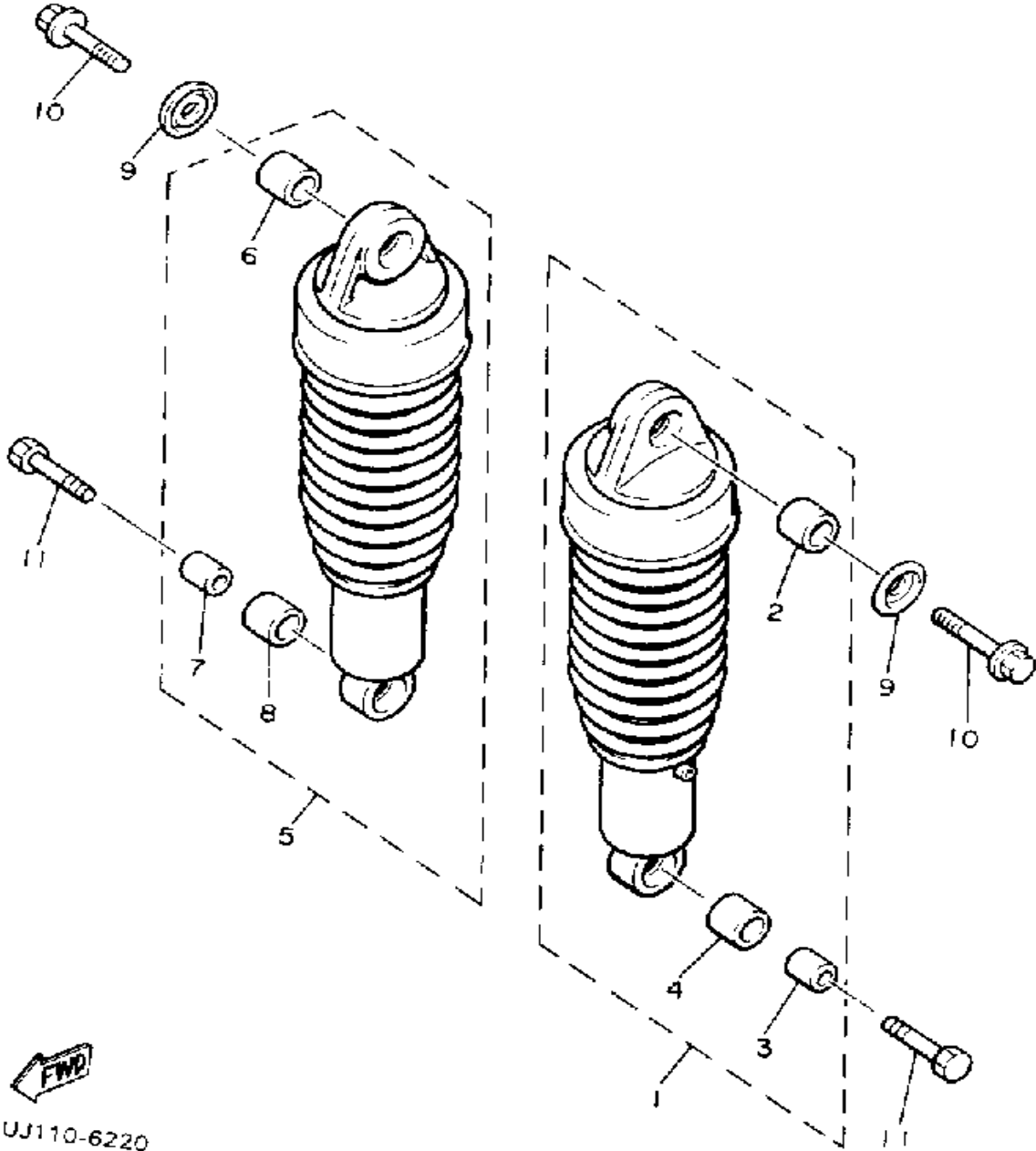
SWING ARM



Ref. No.	Part Number	Description	Qty	Remarks
1	1UJ-22110-00-35	REAR ARM	1	SILVER
2	1UJ-22184-00-00	BUSH	1	
3	93320-32403-00	BEARING	2	
4	4X7-22129-00-00	COVER, THRUST 2	2	
5	90201-244A8-00	WASHER, PLATE	2	UR
	90201-244A9-00	WASHER, PLATE	2	UR
	90201-245A0-00	WASHER, PLATE	2	UR
6	4G0-22141-00-00	SHAFT, PIVOT	1	
7	90185-14070-00	NUT, SELF-LOCKING	1	
8	1UJ-22151-00-00	SEAL, GUARD	1	
9	97016-06016-00	BOLT	1	
10	90201-06059-00	WASHER, PLATE	1	
11	90387-06022-00	COLLAR	1	
12	1UJ-22311-00-00	CASE, CHAIN	1	
13	90159-06084-00	SCREW, WITH WASHER	2	

FWD
1UJ110-6210

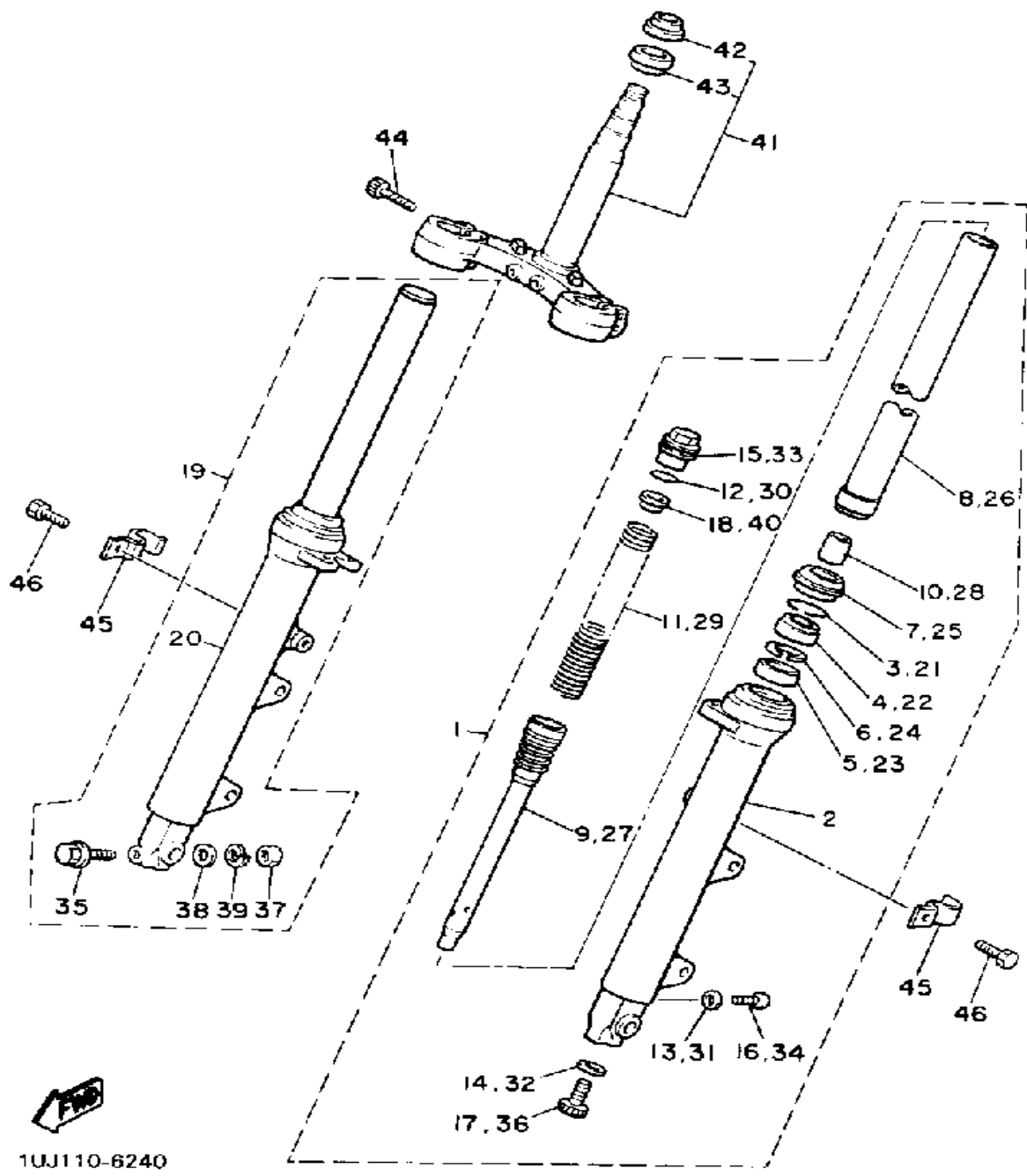
REAR SHOCKS



Ref. No.	Part Number	Description	Qty	Remarks
1	1UJ-22210-00-00	SHK/ABS ASSEMBLY, REAR	1	
2	2GV-22226-00-00	. BUSH, SHOCK ABSORBER LOWER	1	
3	5M0-22253-00-00	. COLLAR, DISTANCE	1	
4	(5M0-22226-00-00)	BUSH, SHOCK ABS LWR	1	
5	1UJ-22210-10-00	SHK/ABS ASSEMBLY, REAR	1	
6	2GV-22226-00-00	. BUSH, SHOCK ABSORBER LOWER	1	
7	5M0-22253-00-00	. COLLAR, DISTANCE	1	
8	(5M0-22226-00-00)	BUSH, SHOCK ABS LWR	1	
9	1UJ-22243-00-00	WASHER 1	2	
10	95023-08012-00	BOLT	2	
11	90106-10030-00	BOLT, DOME HEAD	2	

1UJ110-6220

FRONT FORK

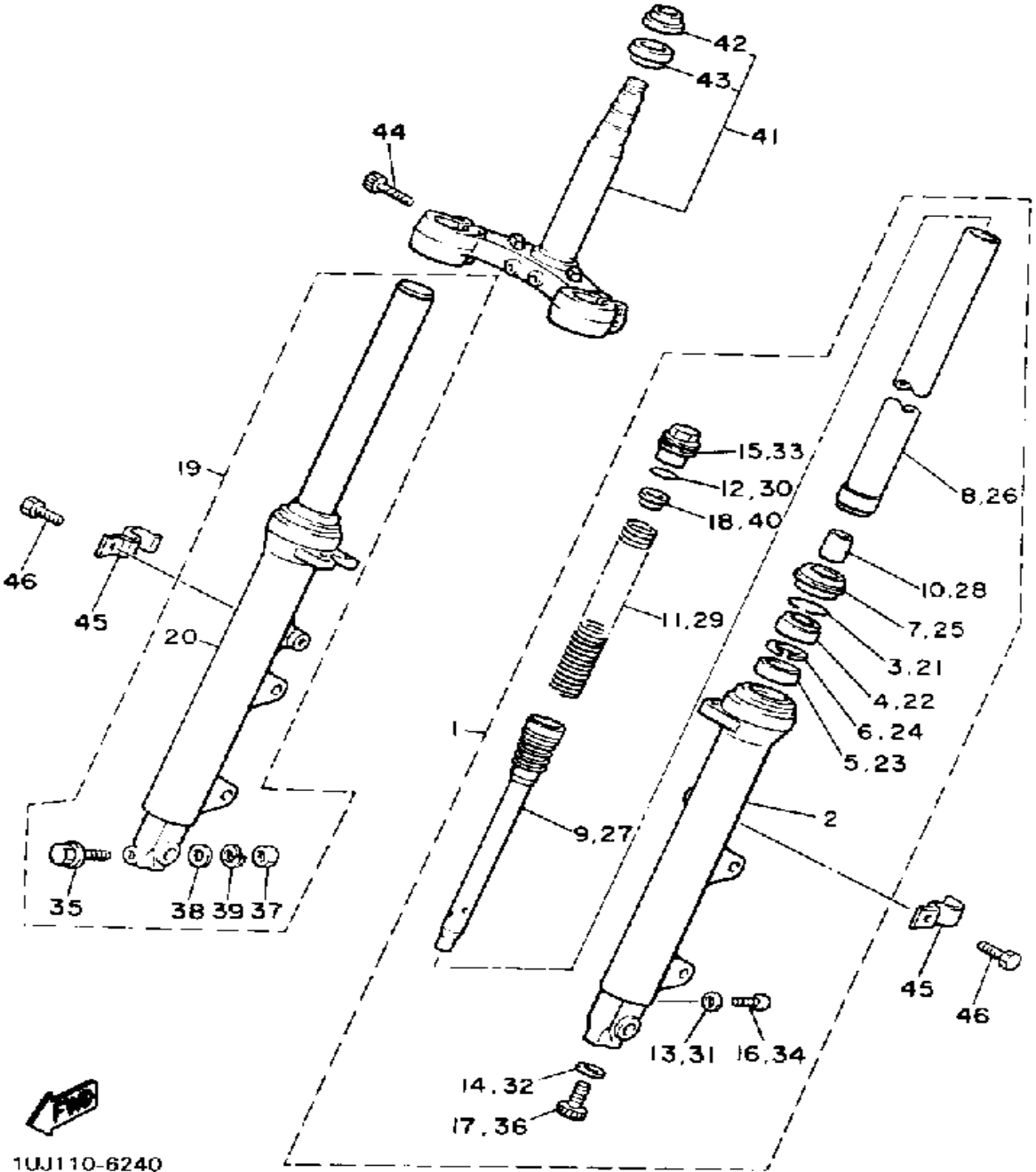


1UJ110-6240

Ref. No.	Part Number	Description	Qty	Remarks
1	1UJ-23102-00-00	FRONT FORK ASSEMBLY L (L.H)	1	
2	1JK-23126-00-00	. TUBE, OUTER 1	1	
3	4A1-23156-00-00	. CLIP, OIL SEAL	1	
4	49A-23145-00-00	. OIL SEAL (15R-23145-00)	1	
5	30X-23125-00-00	. METAL, SLIDE 1	1	
6	5K5-23149-00-00	. WASHER, SPRING UPPER	1	
7	33M-23144-00-00	. SEAL, DUST (15R-23144-00)	1	
8	1UJ-23110-00-00	. INNER TUBE 1	1	
9	1UJ-23170-00-00	. CYLINDER, FRTFRK	1	
10	39K-23173-00-00	. SPINDLE, TAPER	1	
11	1UJ-23141-00-00	. SPRING, FRONT FORK	1	
12	1W1-23114-L0-00	. GASKET	1	
13	122-23129-00-00	. GASKET, DRAIN PLUG	1	
14	509-23158-L0-00	. GASKET	1	
15	53Y-23111-00-00	. BOLT, CAP	1	
16	4H7-23119-00-00	. PLUG, DRAIN - (122-23119-01)	1	
17	278-23181-50-00	. BOLT, HEXAGON SOCKET HEAD	1	
18	1W1-23142-L0-00	. SEAT, SPRING UPPER	1	
19	1UJ-23103-00-00	FRONT FORK ASSEMBLY R (R.H)	1	
20	1JK-23136-00-00	. TUBE, OUTER 2	1	
21	4A1-23156-00-00	. CLIP, OIL SEAL	1	
22	49A-23145-00-00	. OIL SEAL (15R-23145-00)	1	
23	30X-23125-00-00	. METAL, SLIDE 1	1	
24	5K5-23149-00-00	. WASHER, SPRING UPPER	1	
25	33M-23144-00-00	. SEAL, DUST (15R-23144-00)	1	
26	1UJ-23110-00-00	. INNER TUBE 1	1	
27	1UJ-23170-00-00	. CYLINDER, FRTFRK	1	

CONTINUED ON NEXT FRAME ►

FRONT FORK

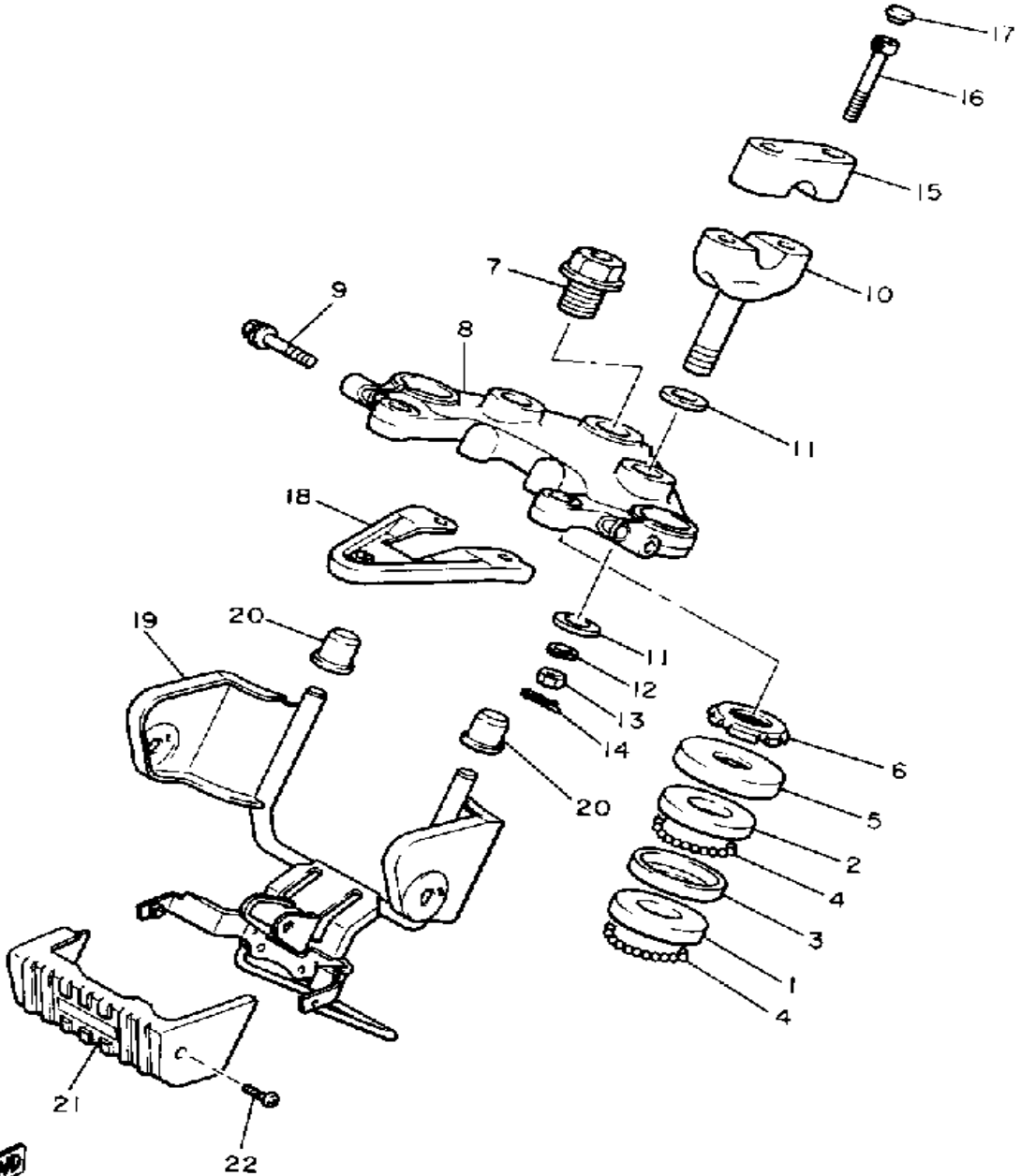


Ref. No.	Part Number	Description	Qty	Remarks
28	39K-23173-00-00	. SPINDLE, TAPER	1	
29	1UJ-23141-00-00	. SPRING, FRONT FORK	1	
30	1W1-23114-L0-00	. GASKET	1	
31	122-23129-00-00	. GASKET, DRAIN PLUG	1	
32	509-23158-L0-00	. GASKET	1	
33	53Y-23111-00-00	. BOLT, CAP	1	
34	4H7-23119-00-00	. PLUG, DRAIN - (122-23119-01)	1	
35	1UJ-23128-00-00	. BOLT, AXLE HOLDER	1	
36	278-23181-50-00	. BOLT, HEXAGON SOCKET HEAD	1	
37	95333-08600-00	. NUT	1	
38	92901-08600-00	. WASHER	1	
39	92990-08100-00	. WASHER	1	
40	1W1-23142-L0-00	. SEAT, SPRING UPPER	1	
41	1UJ-23340-00-00	UNDER BRACKET	1	
42	156-23411-00-00	. RACE, BALL 1	1	
43	164-23462-00-00	. SEAL, STEERING	1	
44	91311-08030-00	BOLT	4	
45	1JK-21524-00-00	PLATE 2	2	
46	90110-06145-00	BOLT, HEX.SOCKET	2	

1UJ110-6240

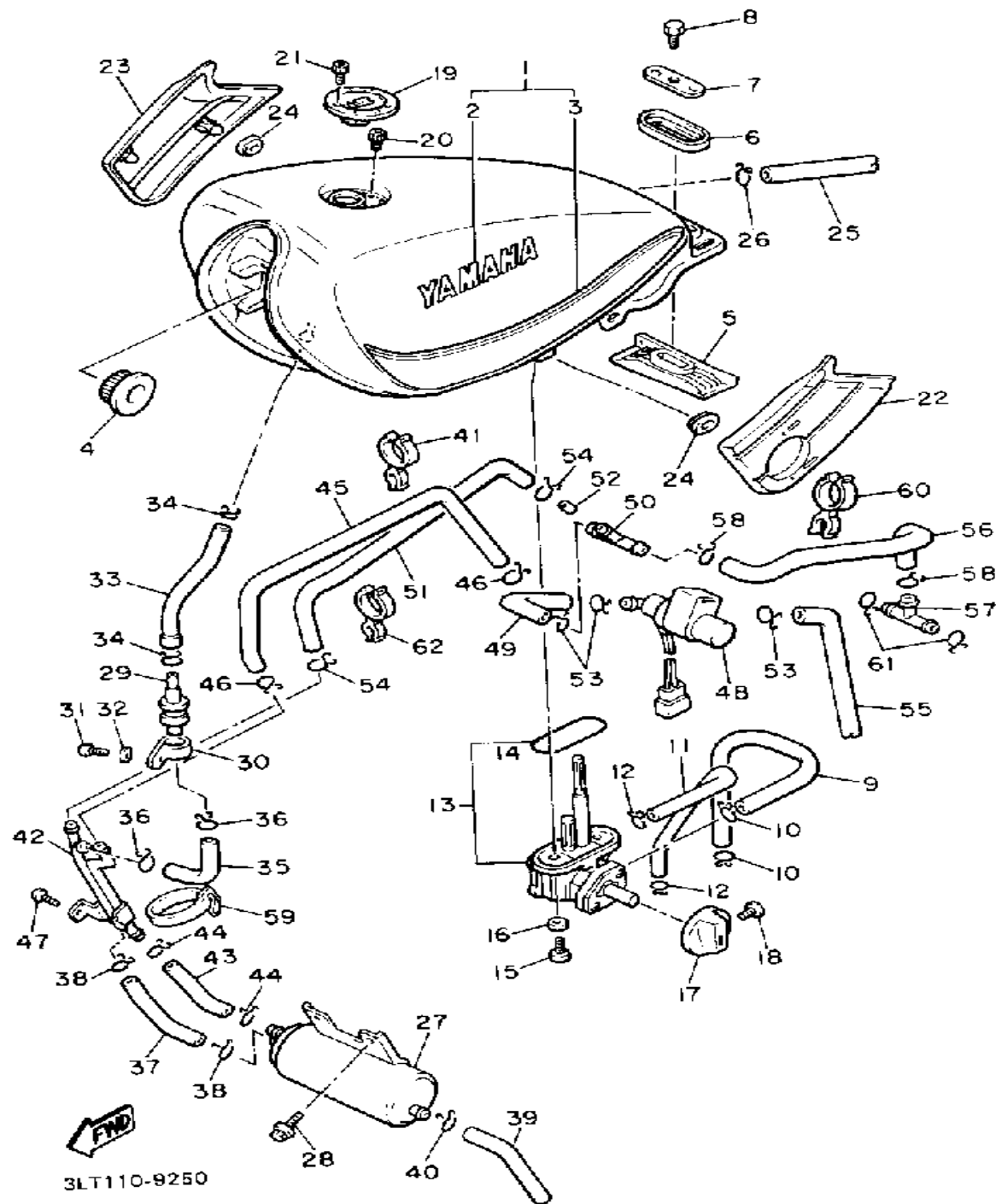
STEERING

Ref. No.	Part Number	Description	Qty	Remarks
1	156-23412-00-00	RACE, BALL 2	1	
2	183-23411-00-00	RACE, BALL 1	1	
3	183-23412-00-00	RACE, BALL 2	1	
4	93501-04011-00	BALL	38	
5	4K0-23415-00-00	COVER, BALL RACE 1	1	
6	90179-25495-00	NUT, SPEC'L SHAPE	1	
7	90105-14102-00	BOLT, WASHER BASED	1	
8	1UJ-W2341-00-39	CROWN, HANDLE	1	CLEAR
9	95023-08040-00	BOLT, FLANGE	2	
10	3Y6-23442-00-38	HOLDER, HANDLE LWR	2	CLEAR (WITH BUFF)
11	90201-100A1-00	WASHER, PLATE	4	
12	92901-10100-00	WASHER, SPRING	2	
13	95303-10700-00	NUT	2	
14	90468-12006-00	CLIP	2	
15	4H7-23441-00-38	HOLDER, HANDLE UPPER	2	CLEAR (WITH BUFF)
16	91311-08030-00	BOLT	4	
17	90338-08163-00	PLUG	4	
18	1UJ-2317E-00-00	STAY	1	
19	1UJ-23174-00-00	STAY, HEADLIGHT	1	
20	33M-2317J-00-00	DAMPER 1	2	
21	1UJ-23122-01-00	COVER, OUTER 1	1	
22	98906-05010-00	SCREW, BIND	2	



1UJ110-6230

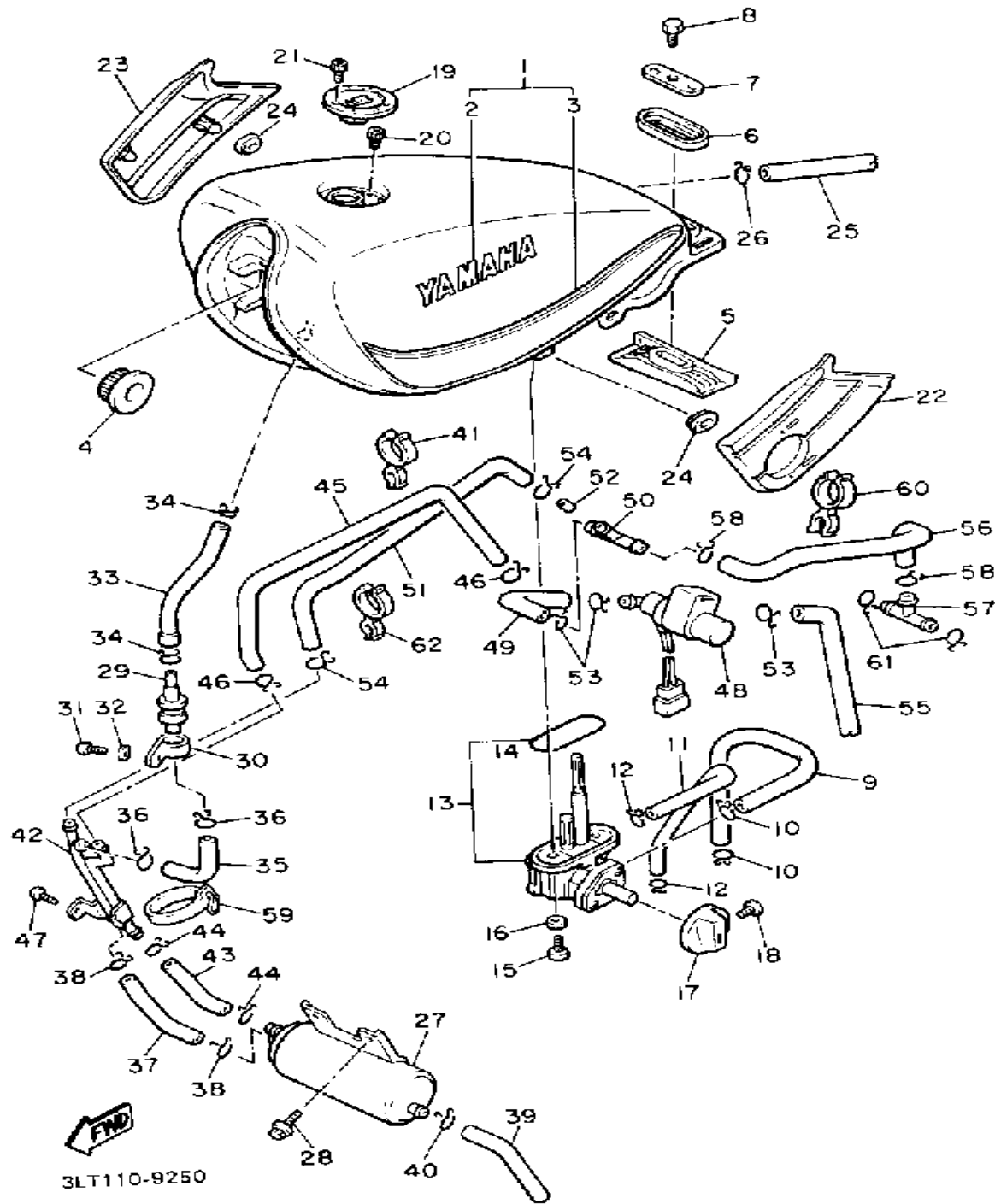
FUEL TANK



Ref. No.	Part Number	Description	Qty	Remarks
1	1UJ-24110-00-08	FUEL TANK	1	
	1UJ-24110-00-09	FUEL TANK	1	
	1UL-24110-00-08	FUEL TANK	1	
	1UL-24110-00-09	FUEL TANK	1	
2	99226-00025-00	. EMBLEM, YAMAHA	2	
3	3LT-24240-10-00	. GRAPHIC SET	1	
	3LT-24240-20-00	. GRAPHIC SET	1	
4	4H7-24181-00-00	DAMPER, LOCATING 1	2	
5	(1UJ-24182-00-00)	DAMPER, LOCATING 2	1	
6	4H7-24183-00-00	DAMPER, LOCATING 3	1	
7	4H7-24186-00-00	WASHER, SPECIAL	1	
8	97011-08016-00	BOLT	1	
9	4G0-24311-00-00	PIPE, FUEL 1	1	
10	90467-10008-00	CLIP	2	
11	90445-09500-00	HOSE	1	
12	90467-08021-00	CLIP	2	
13	1UJ-24500-00-00	FUEL COCK ASSEMBLY 1	1	
14	4X8-24512-00-00	. O-RING	1	
15	90149-06011-00	SCREW	2	
16	90202-05187-00	WASHER, PLATE	2	
17	29L-24524-01-00	LEVER, COCK	1	
18	98506-03008-00	SCREW, PAN HEAD (90157-03122-00)	1	
19	1JK-24602-13-00	CAP ASSEMBLY	1	
	1LJ-24602-03-00	CAP ASSEMBLY	1	
20	91311-05010-00	BOLT, SOCKET HEAD	1	
21	90110-05112-00	BOLT, HEXAGON SOCKET HEAD	3	
22	1UJ-24129-00-00	COVER, SIDE 1	1	

CONTINUED ON NEXT FRAME ►

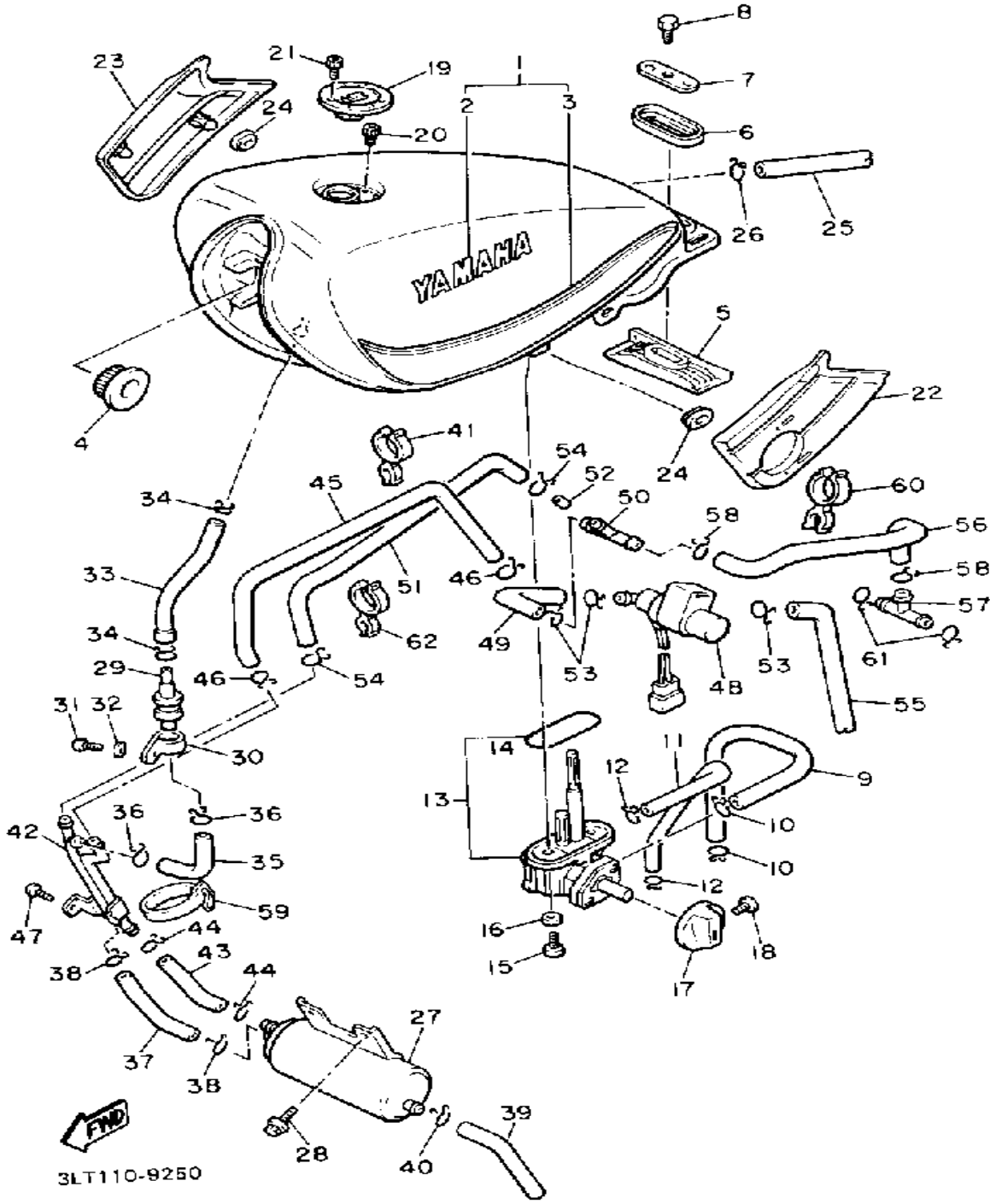
FUEL TANK



Ref. No.	Part Number	Description	Qty	Remarks
23	1UJ-24139-00-00	COVER, SIDE 2	1	
24	90480-01401-00	GROMMET	4	
25	90445-106A7-00	HOSE	1	
26	90467-09006-00	CLIP	1	
27	1UL-24170-00-00	CANISTER ASSEMBLY	1	
28	95816-06016-00	BOLT, FLANGE	2	
29	25H-24180-00-00	ROLL OVER VALVE ASSEMBLY	1	
30	90461-15100-00	CLAMP	1	
31	98516-05012-00	SCREW, PAN HEAD 4CG	1	
32	92906-05600-00	WASHER, PLATE	1	
33	(1UL-24314-00-00)	PIPE 4	1	CALIFORNIA MODEL ONLY
34	90467-10008-00	CLIP	2	CALIFORNIA MODEL ONLY
35	(1UL-24313-00-00)	PIPE 3	1	CALIFORNIA MODEL ONLY
36	90467-10008-00	CLIP	2	CALIFORNIA MODEL ONLY
37	(1UL-24315-00-00)	PIPE 5	1	CALIFORNIA MODEL ONLY
38	90467-10008-00	CLIP	2	CALIFORNIA MODEL ONLY
39	90445-11452-00	HOSE	1	CALIFORNIA MODEL ONLY
40	90467-11106-00	CLIP	1	CALIFORNIA MODEL ONLY
41	90464-26082-00	CLAMP	1	CALIFORNIA MODEL ONLY
42	(1UL-24380-00-00)	PIPE JOINT ASSEMBLY	1	
43	(1UL-24316-00-00)	PIPE 6	1	
44	90467-10008-00	CLIP	2	

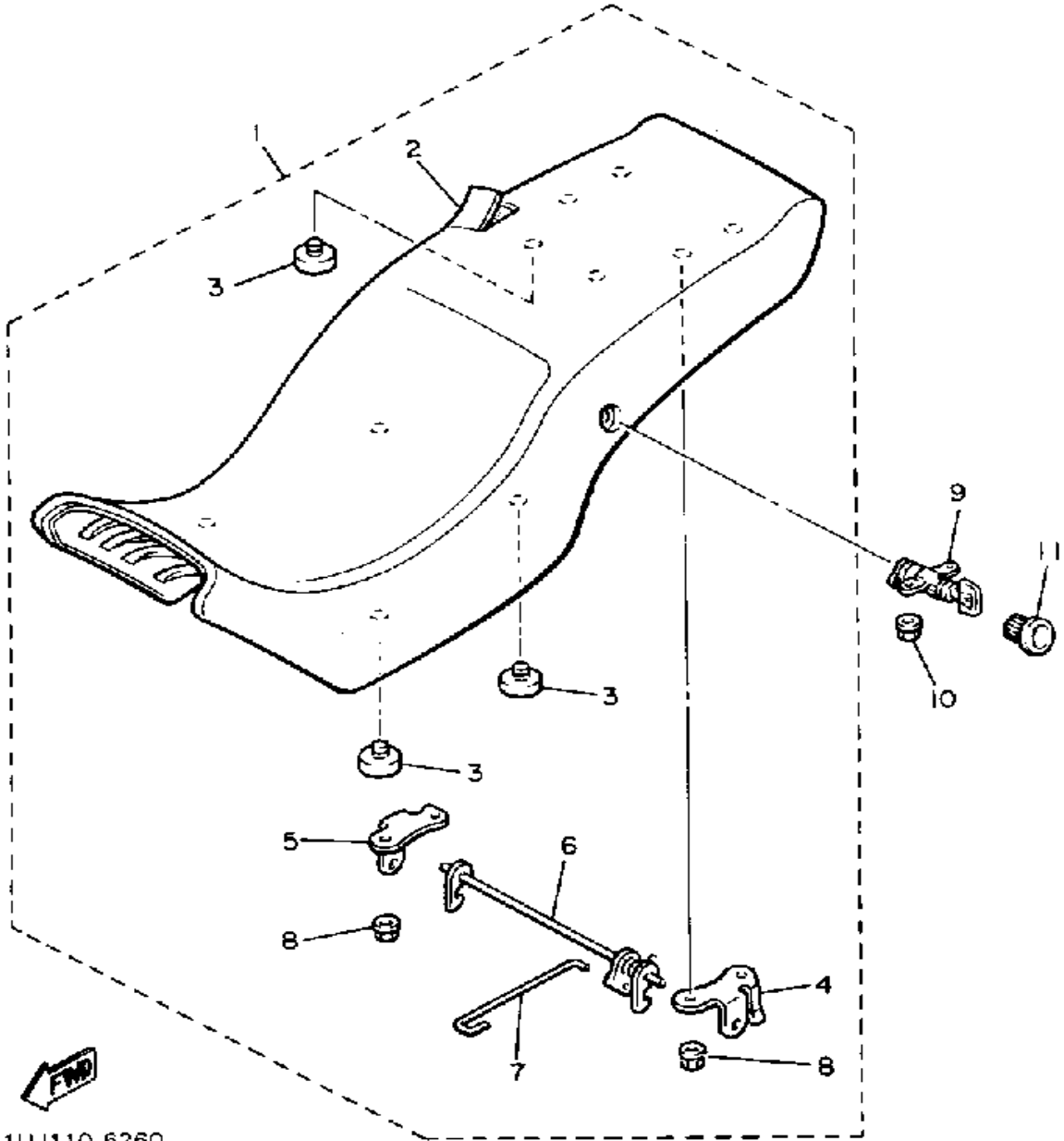
CONTINUED ON NEXT FRAME ➤

FUEL TANK



Ref. No.	Part Number	Description	Qty	Remarks
45	90445-11706-00	HOSE	1	
46	90467-10008-00	CLIP	2	
47	98906-06008-00	SCREW, BIND	1	
48	1UL-14896-00-00	VLV, OUT VENT CON 2	1	
49	(1UL-14871-00-00)	PIPE 1	1	
50	90413-11028-00	WAY 3	1	
51	90445-107E7-00	HOSE	1	
52	(1WJ-15138-00-00)	NOZZLE 1	1	CALIFORNIA MODEL ONLY
53	90467-12052-00	CLIP	3	CALIFORNIA MODEL ONLY
54	90467-09006-00	CLIP	2	CALIFORNIA MODEL ONLY
55	90445-137E8-00	HOSE	1	CALIFORNIA MODEL ONLY
56	1UL-14872-00-00	PIPE 2	1	CALIFORNIA MODEL ONLY
57	90413-11025-00	WAY 3	1	CALIFORNIA MODEL ONLY
58	90467-12052-00	CLIP	2	CALIFORNIA MODEL ONLY
59	25G-83936-01-00	BAND, SWITCH CORD	1	CALIFORNIA MODEL ONLY
60	90464-26091-00	CLAMP	1	CALIFORNIA MODEL ONLY
61	90467-12052-00	CLIP	2	CALIFORNIA MODEL ONLY
62	90464-26082-00	CLAMP	1	CALIFORNIA MODEL ONLY

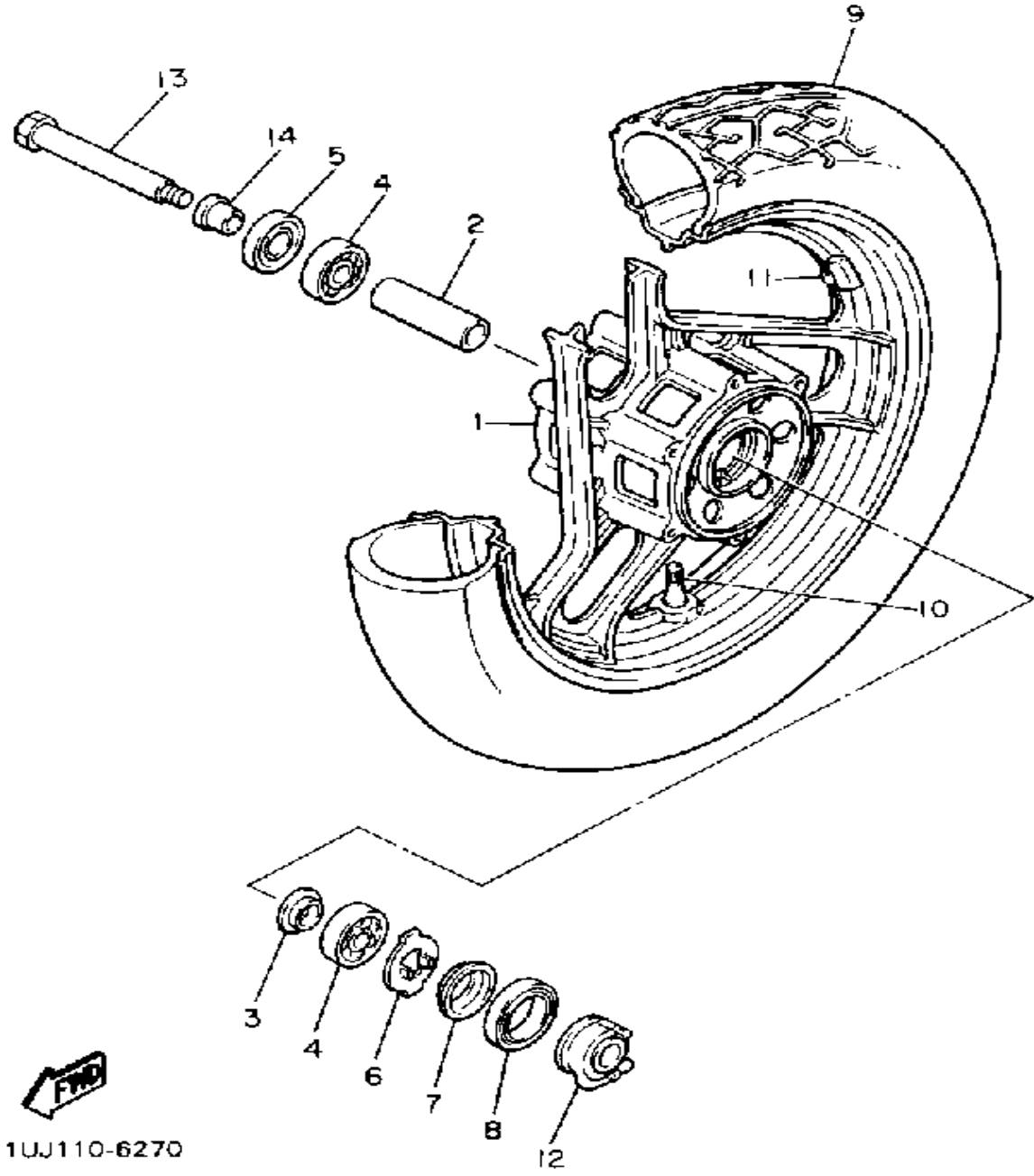
SEAT



Ref. No.	Part Number	Description	Qty	Remarks
1	3LT-24730-00-00	DOUBLE SEAT ASSEMBLY ...	1	
2	3LT-24731-00-00	. COVER, SEAT	1	
3	22W-24741-00-00	. PAD, SEAT	6	
4	47X-24718-01-00	. BRACKET, SEAT	1	
5	47X-24728-01-00	. BRACKET, SEAT	1	
6	1UJ-24776-00-00	. LEVER, SEAT	1	
7	47X-2478F-00-00	. ROD, CONNECTING	1	
8	95701-06500-00	. NUT, FLANGE	4	
9	51X-24705-00-00	SEAT LOCK ASSEMBLY	1	
10	95701-05500-00	NUT, FLANGE	2	
11	51Y-24796-00-00	COVER	1	

1UJ110-6260

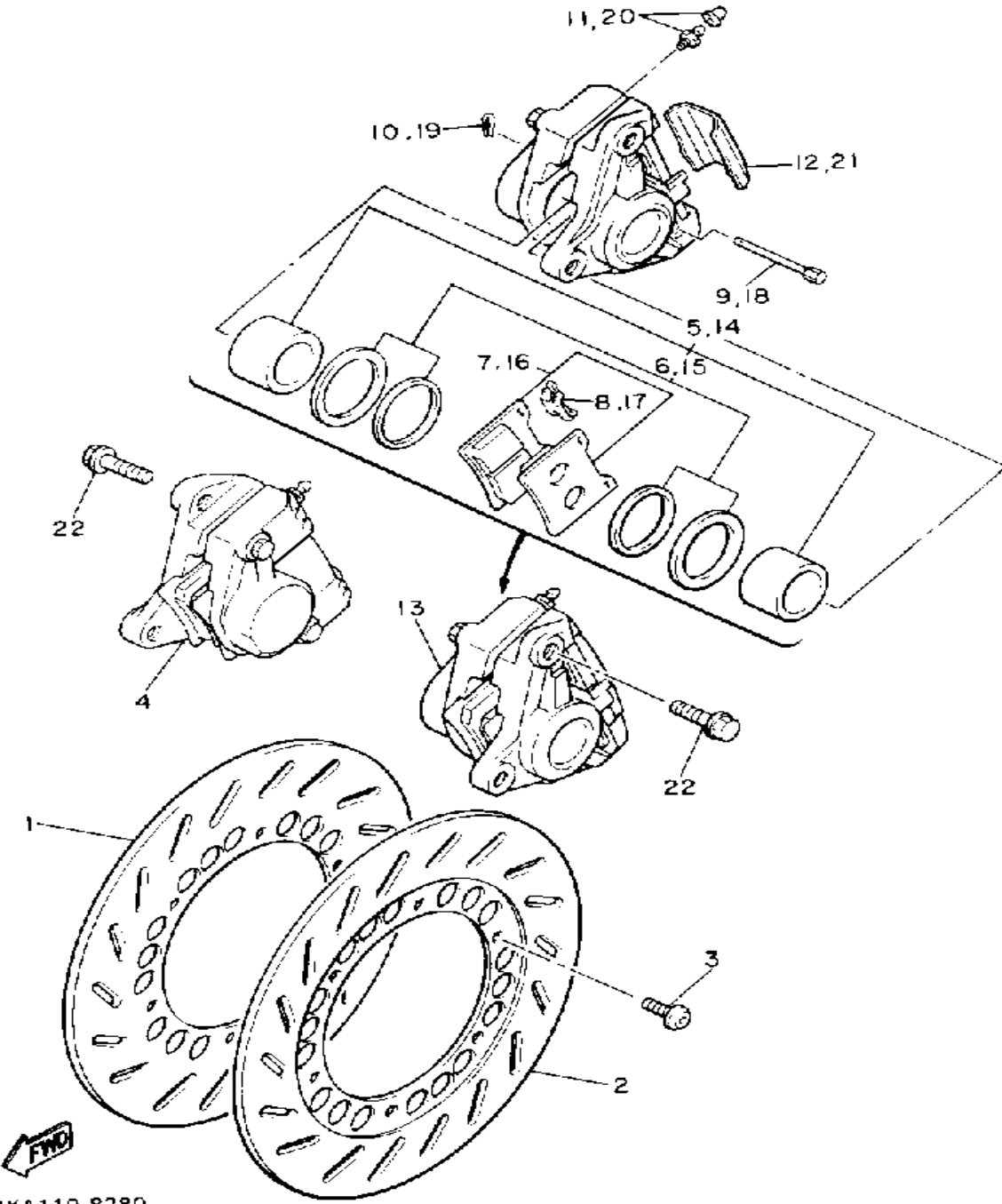
FRONT WHEEL



Ref. No.	Part Number	Description	Qty	Remarks
1	1UJ-25168-00-P0	CAST WHEEL, FRONT	1	LT. YELLOWISHGRAY ME 4
2	90560-15116-00	SPACER	1	
3	146-25115-00-00	FLANGE, SPACER 1	1	
4	93306-30202-00	BEARING	2	
5	93102-22014-00	OIL SEAL	1	
6	341-25149-00-00	CLUTCH, METER	1	
7	341-25846-00-00	RETAINER, CLUTCH	1	
8	93105-45017-00	OIL SEAL	1	
9	(94111-161J0-00) 94111-166J7-00	110/90-16 DUN 56H 110/90-16 G527 BS (110/90-16 59H G527A)	1	UR DUNLOP
10	93900-00030-00	VALVE, RIM	1	
11	29L-25398-00-00 29L-25398-10-00 29L-25398-20-00	BALANCER, WHEEL (10G) BALANCER, WHEEL (20G) BALANCER, WHEEL (30G)	1 1 1	UN UN UN
12	3M5-25190-00-00	GEAR UNIT ASSEMBLY	1	
13	10W-25381-00-00	AXLE, WHEEL	1	
14	90387-15550-00	COLLAR	1	

1UJ110-6270

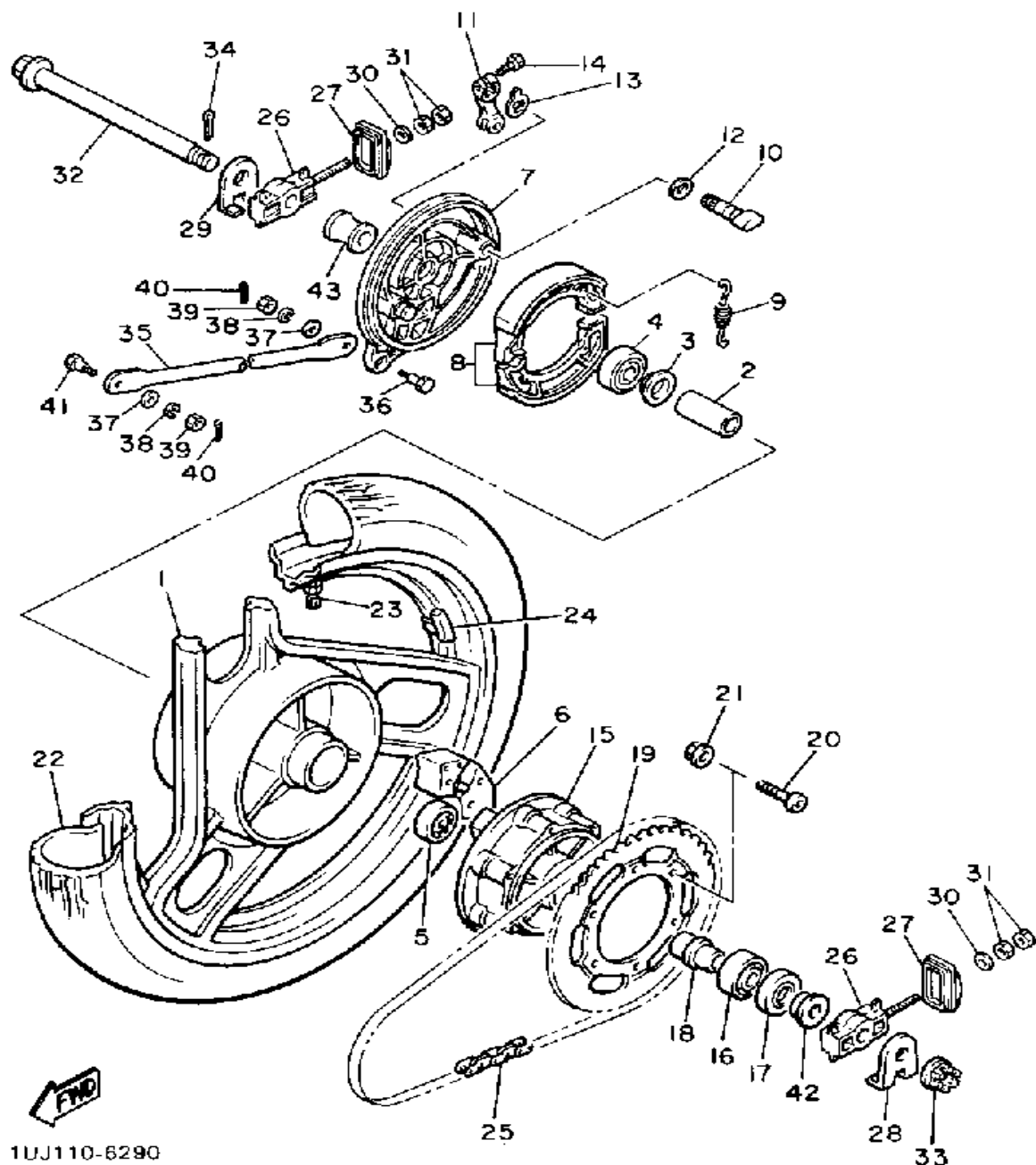
FRONT BRAKE CALIPER



Ref. No.	Part Number	Description	Qty	Remarks
1	29L-25831-00-00	DISC, BRAKE R (BLCK) (RIGHT)	1	
2	29L-25831-10-00	DISC, BRAKE L (BLCK) (LEFT)	1	
3	90109-08718-00	BOLT	12	
4	51J-25810-02-00	CALIPER ASSEMBLY (RIGHT)	1	
5	31A-W0057-00-00	. PISTON ASSEMBLY, CALIPER	1	
6	31A-W0047-00-00	. . CALIPER SEAL KIT	1	
7	26H-W0045-11-00	. BRAKE PAD KIT	1	
8	1WG-25919-00-00	. SUPPORT, PAD	1	
9	3HE-25924-00-00	. PIN, PAD	2	
10	3HE-25925-00-00	. CLIP	2	
11	1J3-W0048-00-00	. BLEED SCREW KIT	1	
12	51J-25836-00-00	. COVER, DUST	1	
13	51J-25810-12-00	CALIPER ASSEMBLY (LEFT)	1	
14	31A-W0057-00-00	. PISTON ASSEMBLY, CALIPER	1	
15	31A-W0047-00-00	. . CALIPER SEAL KIT	1	
16	26H-W0045-11-00	. BRAKE PAD KIT	1	
17	1WG-25919-00-00	. SUPPORT, PAD	1	
18	3HE-25924-00-00	. PIN, PAD	2	
19	3HE-25925-00-00	. CLIP	2	
20	1J3-W0048-00-00	. BLEED SCREW KIT	1	
21	51J-25836-00-00	. COVER, DUST	1	
22	90105-10638-00	BOLT, WASHER BASED	4	

2XA110-8280

REAR WHEEL

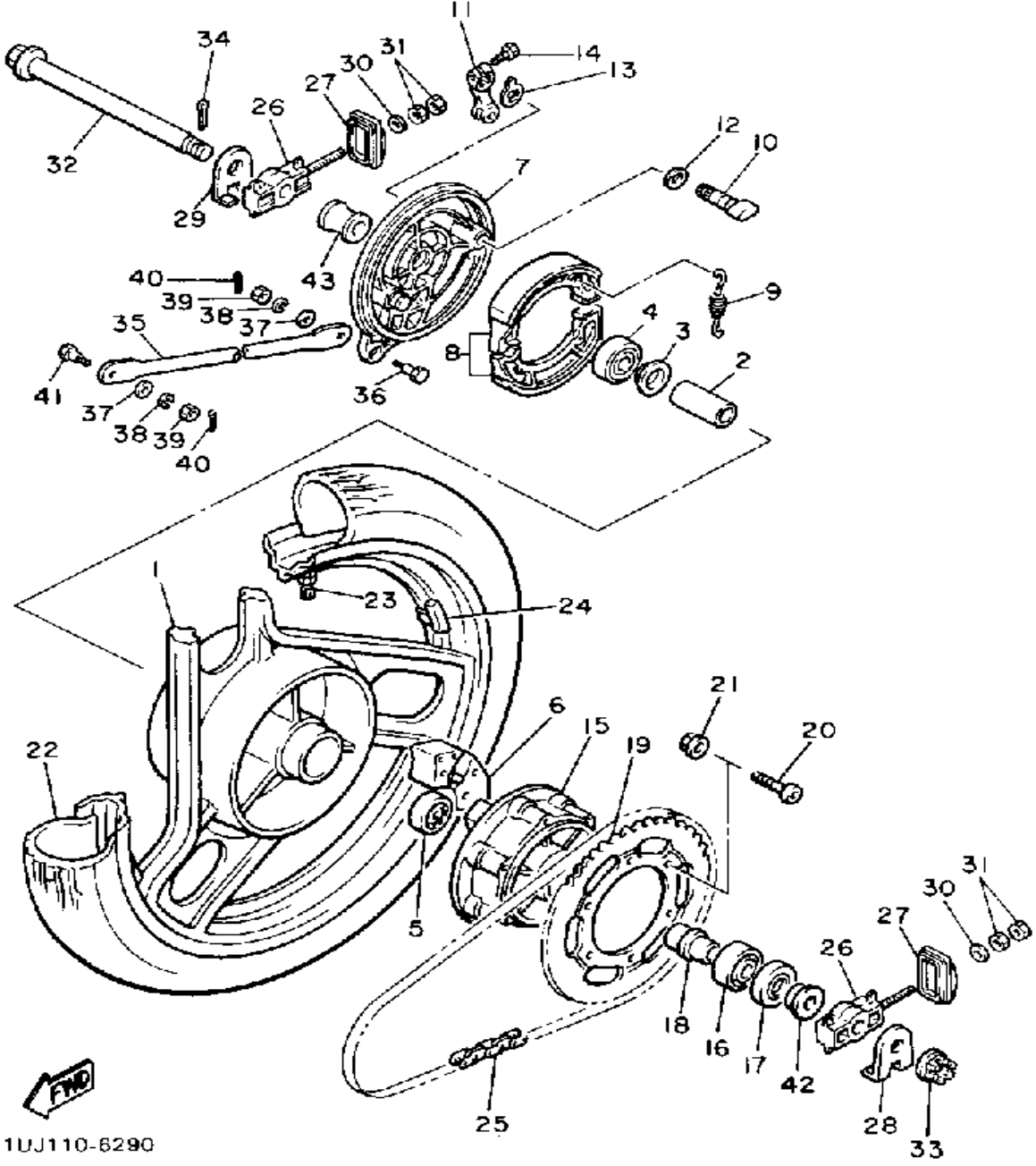


1UJ110-6290

Ref. No.	Part Number	Description	Qty	Remarks
1	1UJ-25338-20-P0	CAST WHEEL, REAR	1	LT. YELLOWISHGRAY ME 4
2	90560-17282-00	SPACER	1	
3	146-25315-00-00	FLANGE, SPACER	1	
4	93306-30309-00	BEARING	1	
5	93306-20310-00	BEARING	1	
6	29L-25364-00-00	DAMPER	3	
7	4H7-25321-00-00	PLATE, BRAKE SHOE	1	
8	4H7-W2536-00-00	BRAKESHOE SET-2PCS	1	
9	90507-20002-00	SPRING, TENSION	2	
10	4H7-25351-00-00	CAMSHAFT	1	
11	371-25355-02-00	LEVER, CAMSHAFT	1	
12	90201-14218-00	WASHER, PLATE	1	
13	4H7-2533A-02-00	PLATE, INDICATOR	1	
14	90101-06291-00	BOLT	1	
15	1JK-25366-00-00	CLUTCH, HUB	1	
16	93306-30416-00	BEARING (B6304RS)	1	
17	93102-32298-00	OIL SEAL, SD-TYPE	1	
18	90387-172J8-00	COLLAR	1	
19	49A-25445-22-00	SPROCKET, DRVN 45T (45T)	1	YAMAHA BLK
20	90110-08057-00	BOLT, HEX SKT HEAD	6	
21	95601-08200-00	NUT, U	6	
22	(94113-161J1-00)	130/90-16 DUN 67H	1	UR DUNLOP
	94113-161J2-00	130/90-16 G528 BS	1	URBRIDGESTONE
23	93900-00030-00	VALVE, RIM	1	
24	29L-25398-00-00	BALANCER, WHEEL (10G)	1	UN
	29L-25398-10-00	BALANCER, WHEEL (20G)	1	UN
	29L-25398-20-00	BALANCER, WHEEL (30G)	1	UN
25	94581-10104-00	DID 50HD 4	1	

CONTINUED ON NEXT FRAME ►

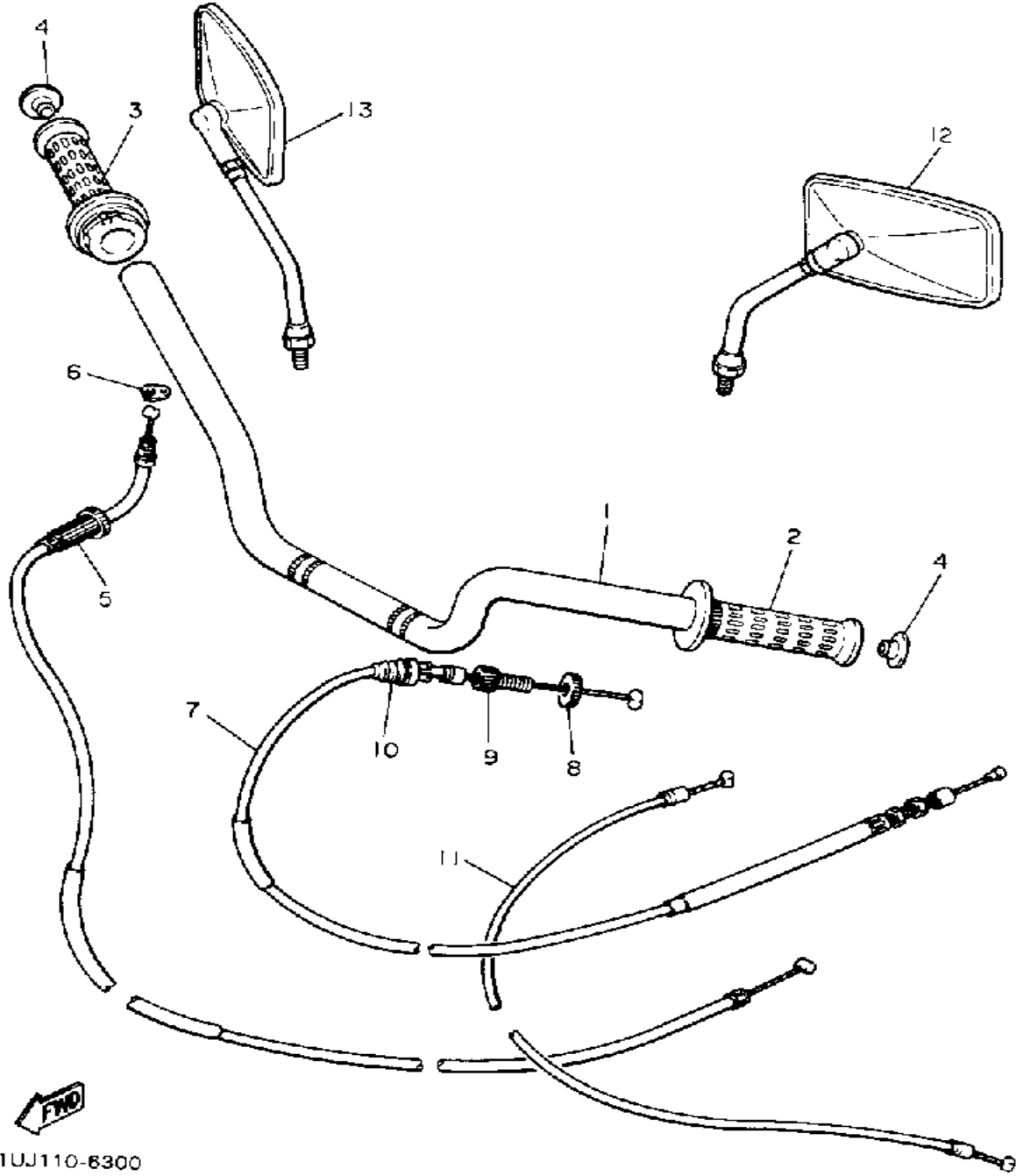
REAR WHEEL



1UJ110-6290

Ref. No.	Part Number	Description	Qty	Remarks
26	1JK-25388-00-00	PULLER, CHAIN 1	2	
27	51L-22174-00-00	END 1	2	
28	1JK-2533A-00-00	PLATE, INDICATOR	1	
29	1JK-2533E-00-00	PLATE, INDICATOR 2	1	
30	92901-08600-00	WASHER	2	
31	95333-08600-00	NUT	4	
32	1UJ-25381-00-00	AXLE, WHEEL	1	
33	90171-16024-00	NUT, CASTLE	1	
34	91401-30030-00	PIN, COTTER	1	
35	4G0-25371-00-00	BAR, TENSION	1	
36	90109-08406-00	BOLT	1	
37	92901-08600-00	WASHER	2	
38	92990-08100-00	WASHER	2	
39	95303-08700-00	NUT	2	
40	91490-20020-00	PIN, COTTER	2	
41	90109-08368-00	BOLT	1	
42	90387-173L6-00	COLLAR	1	
43	90387-172E4-00	COLLAR	1	

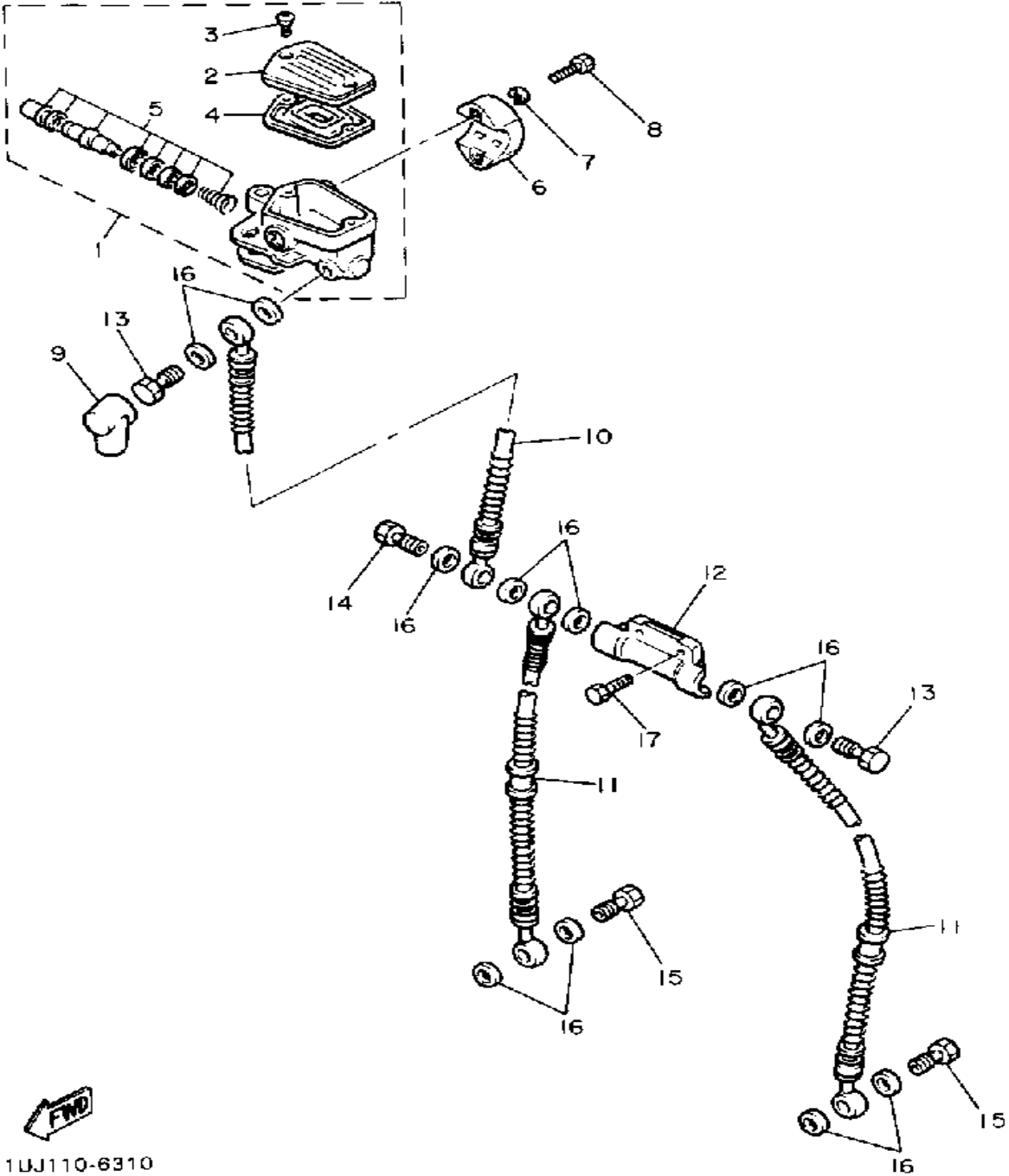
HANDLEBAR - CABLE



1UJ110-6300

Ref. No.	Part Number	Description	Qty	Remarks
1	1UJ-W2611-00-00	HANDLEBAR	1	
2	42X-26241-00-00	GRIP LH	1	
3	42X-26240-00-00	GRIP ASSEMBLY	1	
4	26H-2628J-00-00	CAP, grip	2	
5	1UJ-26311-00-00	CABLE, THROTTLE 1	1	
6	5H0-26393-00-00	HOLDER	1	
7	1UJ-26335-00-00	CABLE, CLUTCH	1	
8	90179-08148-00	NUT	1	
9	90123-08046-00	BOLT	1	
10	1E6-26342-00-00	BOOT, CABLE	1	
11	1UJ-26331-00-00	CABLE, STARTER 1	1	
12	4H7-26290-10-00	BACK MIRROR ASSEMBLY (LEFT)	1	
13	4H7-26290-00-00	BACK MIRROR ASSEMBLY (RIGHT)	1	

FRONT MASTER CYLINDER

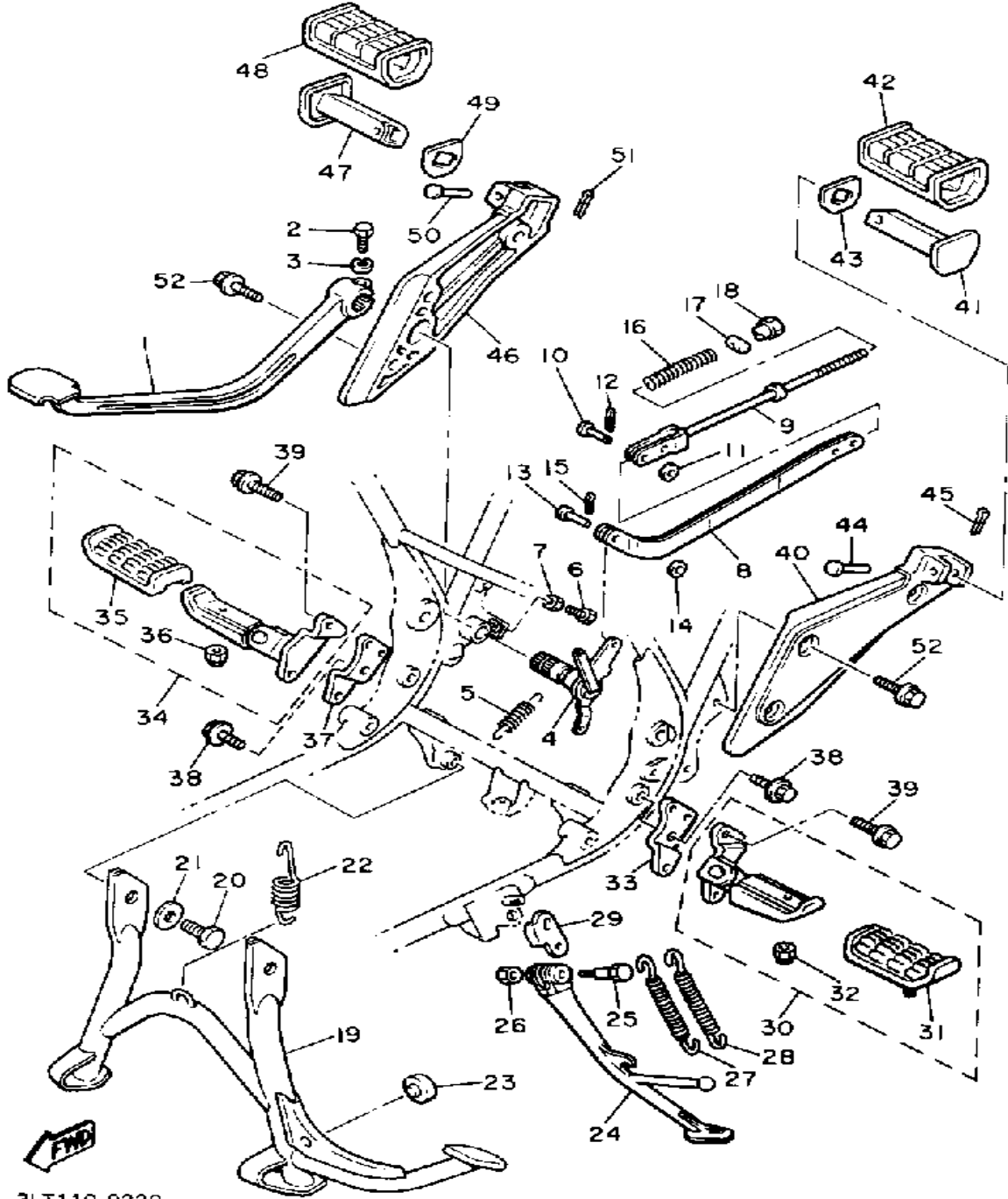


Ref. No.	Part Number	Description	Qty	Remarks
1	36Y-25850-01-00	MASTER CYLINDER ASSEMBLY	1	
2	36Y-25852-01-00	. CAP, RESERVOIR	1	
3	98706-04012-00	. SCREW, FLAT HEAD	2	
4	36Y-25854-00-00	. DIAPHRAGM, RESERVOIR	1	
5	36Y-W0041-00-00	. CYLINDER KIT, MASTER	1	
6	36Y-25867-00-00	BRACKET, MASTER CYLINDER	1	
7	92906-06100-00	WASHER, SPRING	2	
8	91316-06025-00	BOLT	2	
9	306-25862-00-00	BOOT, MASTER CYLINDER	1	
10	3LT-25872-00-00	HOSE, BRAKE 1	1	
11	3LT-25873-00-00	HOSE, BRAKE 2	2	
12	1AA-25885-00-00	JOINT	1	
13	90401-10034-00	BOLT, UNION	2	
14	90401-10044-00	BOLT, UNION	1	
15	90401-10096-00	BOLT, UNION	2	
16	90201-10118-00	WASHER, PLATE	11	
17	91311-06020-00	BOLT, SOCKET HEAD	2	



1UJ110-6310

STAND - FOOTREST

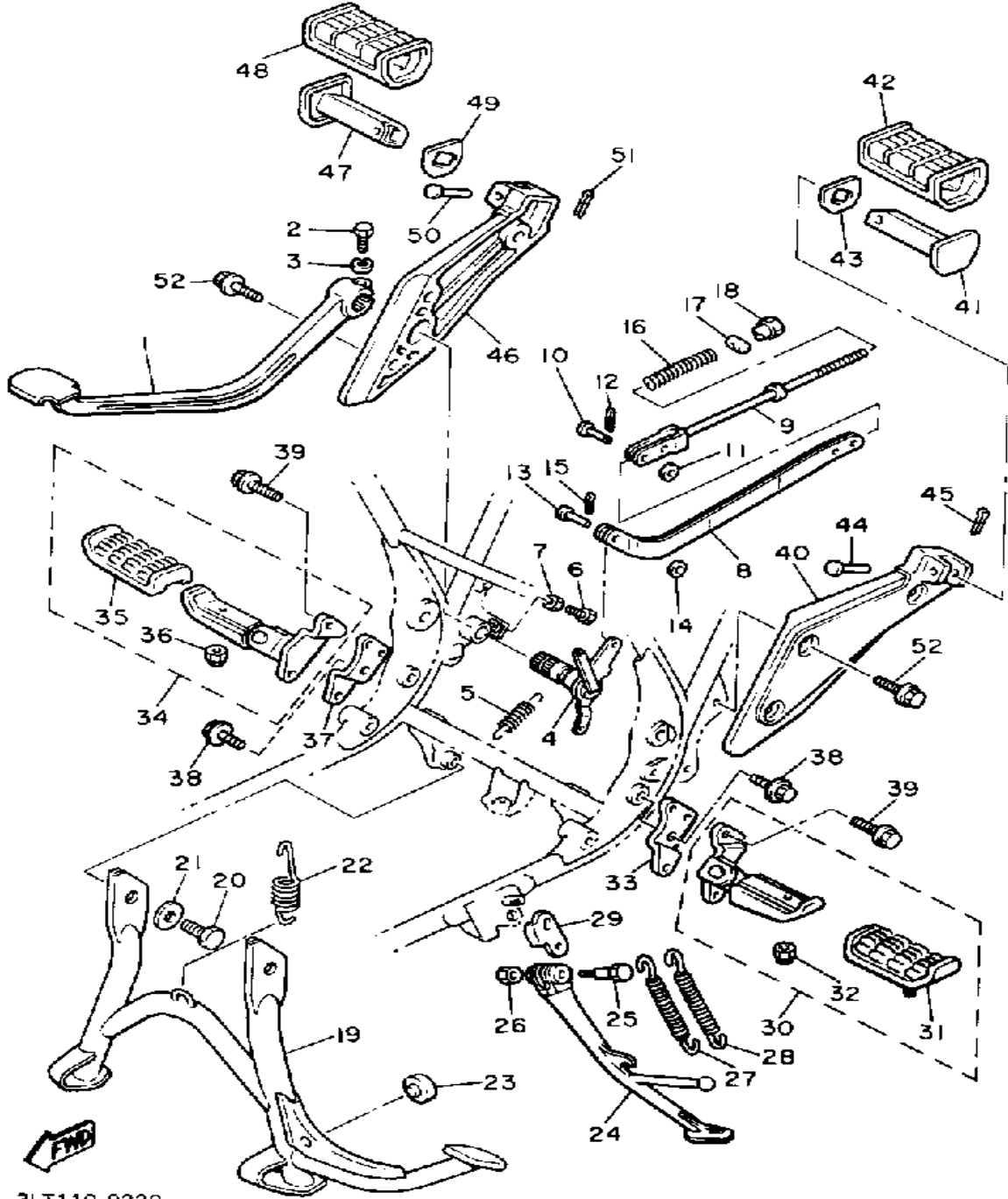


3LT110-9320

Ref. No.	Part Number	Description	Qty	Remarks
1	4G0-27211-00-00	PEDAL, BRAKE	1	
2	90109-06468-00	BOLT	1	
3	92995-06100-00	WASHER, SPRING	1	
	92995-06100-00	WASHER, SPRING	4	
4	1UJ-27212-00-00	SHAFT, BRAKE PEDAL	1	
5	90506-20193-00	SPRING, TENSION	1	
6	90153-06008-00	SCREW, HEXAGON	1	
7	90170-06184-00	NUT, HEXAGON	1	
8	1UJ-27241-00-00	ROD, JOINT	1	
9	1UJ-27231-00-00	ROD, BRAKE	1	
10	90240-06103-00	PIN, CLEVIS	2	
11	92990-06200-00	WASHER	2	
12	91490-20020-00	PIN, COTTER	2	
13	90240-08067-00	PIN, CLEVIS	1	
14	90201-08083-00	WASHER, PLATE	1	
15	91490-20020-00	PIN, COTTER	1	
16	90501-10245-00	SPRING, COMPRESSION	1	
17	90249-12008-00	PIN	1	
18	90179-06411-00	NUT	1	
19	1UJ-27111-00-R4	STAND, MAIN	1	BLACK
20	97003-10016-00	BOLT (97002-10016-00)	2	
21	90201-10752-00	WASHER, PLATE	2	
22	90506-40251-00	SPRING, TENSION	1	
23	1UJ-27114-00-00	STOPPER, MAIN STAND	1	
24	4G0-27311-00-R4	STAND, SIDE	1	BLACK
25	90109-10590-00	BOLT	1	
26	90185-10120-00	NUT, SELF-LOCKING	1	
27	90506-18224-00	SPRING, TENSION	1	
28	90506-26225-00	SPRING, TENSION	1	

CONTINUED ON NEXT FRAME ➤

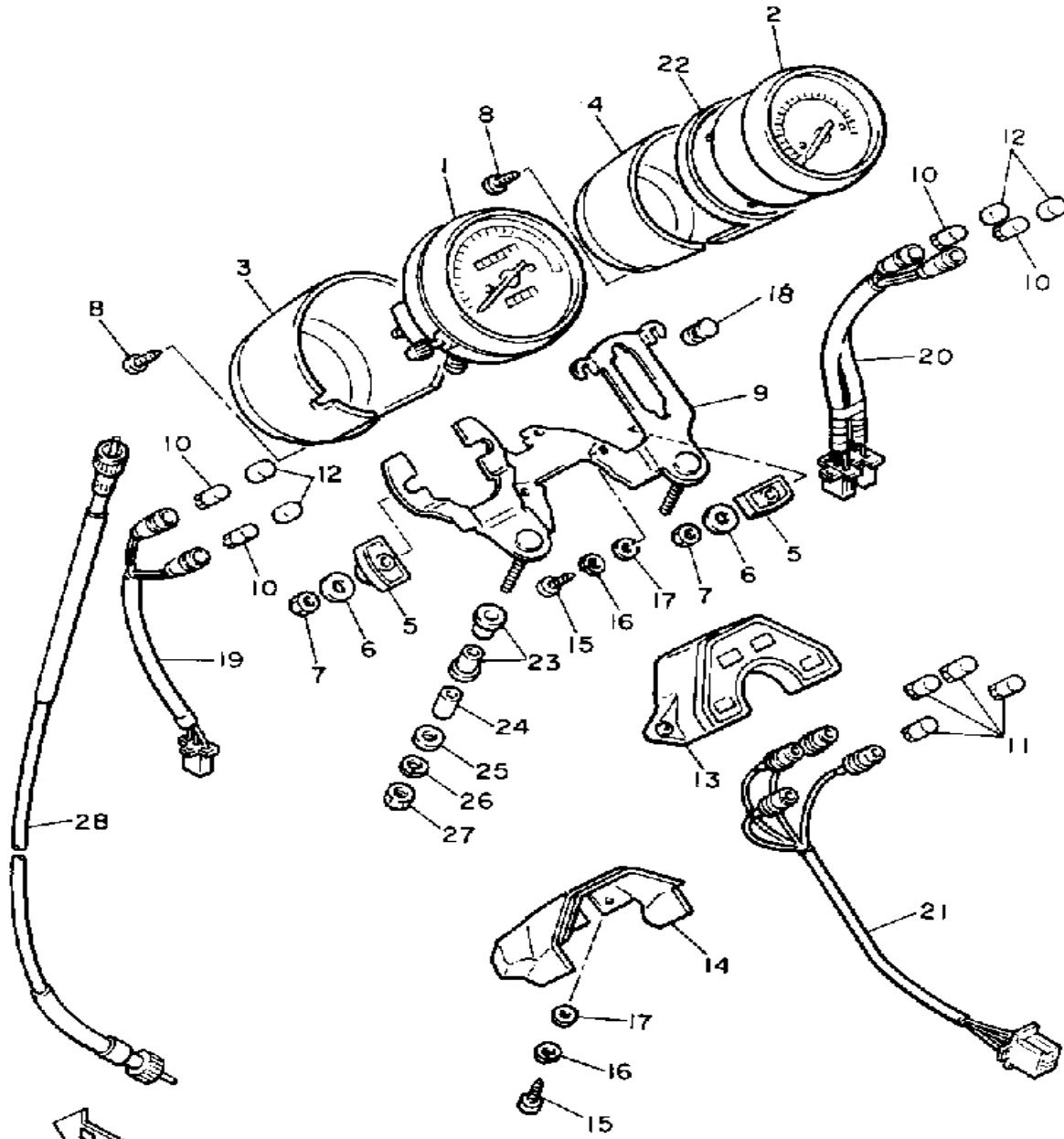
STAND - FOOTREST



3LT110-9320

Ref. No.	Part Number	Description	Qty	Remarks
29	2KT-27315-00-00	LINK, SIDE STAND	1	
30	3LT-27410-00-R4	FRT FOOTREST ASSEMBLY L (LEFT)	1	BLACK
31	51Y-27413-00-00	. COVER, FOOTREST	1	
32	95601-06100-00	. NUT, U	2	
33	3LT-27442-00-00	BRACKET 2	1	
34	3LT-27420-00-R4	FRT FOOTREST ASSEMBLY R (RIGHT)	1	BLACK
35	51Y-27413-00-00	. COVER, FOOTREST	1	
36	95601-06100-00	. NUT, U	2	
37	3LT-27443-00-00	BRACKET 3	1	
38	95826-12030-00	BOLT, FLANGE	2	
39	90109-085A4-00	BOLT	4	
40	1UJ-27442-00-00	BRACKET 2	1	
41	4X7-27431-00-00	FOOTREST, REAR 1	1	
42	3H5-27433-00-00	COVER, RR FOOTREST	1	
43	90209-18190-00	WASHER, SPEC'L SHAP	1	
44	91701-06038-00	PIN, CLEVIS	1	
45	91490-16020-00	PIN, COTTER	1	
46	1UJ-27443-00-00	BRACKET 3	1	
47	4X7-27441-00-00	FOOTREST, REAR 2	1	
48	3H5-27444-00-00	COVER, RR FOOTREST	1	
49	90209-18190-00	WASHER, SPEC'L SHAP	1	
50	91701-06038-00	PIN, CLEVIS	1	
51	91490-16020-00	PIN, COTTER	1	
52	91311-10025-00	BOLT	4	

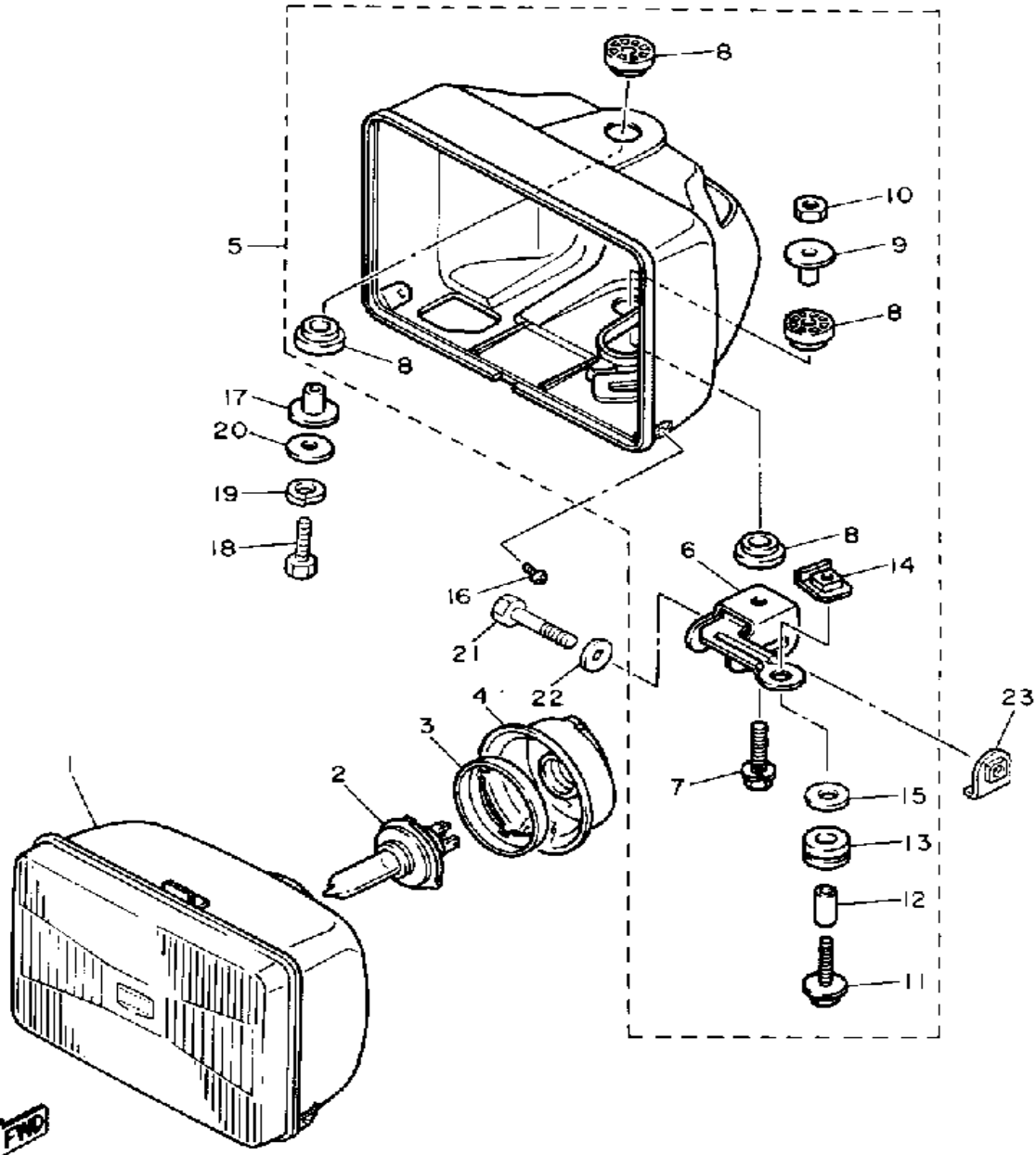
METER



1UJ110-8370

Ref. No.	Part Number	Description	Qty	Remarks
1	1UJ-83570-A0-00	SPEEDOMETER ASSEMBLY ..	1	
2	1UF-8354A-00-00	TACHOMETER ASSEMBLY ...	1	
3	1FK-83507-00-00	COVER, SPEEDOMETER	1	
4	1UF-83508-00-00	COVER, TACHOMETER	1	
5	1FG-83523-00-00	DAMPER	4	
6	90201-05031-00	WASHER, PLATE	4	
7	95380-05600-00	NUT	4	
8	90164-04009-00	SCREW, TAPPING	2	
9	1UJ-83519-00-00	BRACKET, METER	1	
10	42X-83517-00-00	BULB (12V-3W)	4	
11	4G1-84744-00-00	BULB, MTR.12V3.4W	4	
12	1FK-83535-00-00	TUBE	4	
13	1UJ-83530-00-00	PILOT LIGHT ASSEMBLY	1	
14	1UJ-83579-00-00	COVER, METER 2	1	
15	98580-04008-00	SCREW, PAN HEAD	4	
16	92901-04100-00	WASHER, SPRING	4	
17	92901-04600-00	WASHER, PLATE	4	
18	29L-83523-00-00	DAMPER	2	
19	1UJ-83509-00-00	SOCKET CORD ASSEMBLY ..	1	
20	1UF-83586-00-00	SOCKET ASSEMBLY	1	
21	1UJ-83520-00-00	SOCKET CORD ASSEMBLY ..	1	
22	1UF-83541-00-00	DAMPER	1	
23	584-83541-00-00	DAMPER	4	
24	90387-06249-00	COLLAR	2	
25	90201-06059-00	WASHER, PLATE	2	
26	92906-06100-00	WASHER, SPRING	2	
27	95316-06600-00	NUT	2	
28	34X-83550-01-00	SPEEDOMETER CABLE ASSEMBLY	1	

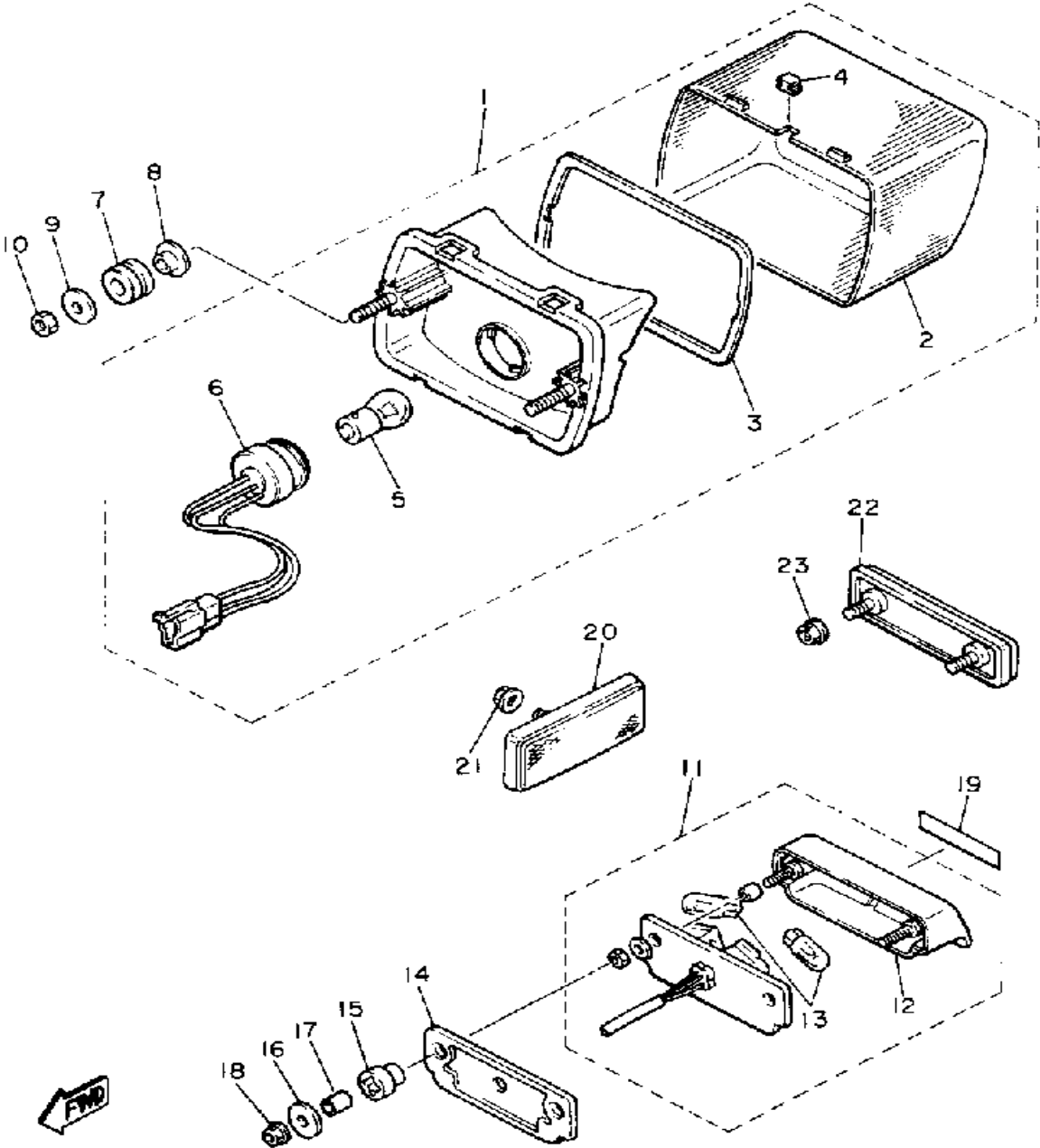
HEADLIGHT



Ref. No.	Part Number	Description	Qty	Remarks
1	1UF-84320-00-00	LENS ASSEMBLY	1	
2	5V2-83414-00-XX	UNAVAILABLE IN PRICE BOOK	1	LM HALOGEN
3	2F9-84375-00-00	SETTING PLATE, BULB	1	
4	2F9-84397-01-00	COVER, SOCKET	1	
5	1UF-84330-01-00	BODY ASSEMBLY	1	
6	1UF-84319-00-00	. STAY, HEADLIGHT 2	1	
7	1UF-84337-00-00	. BOLT, SPECIAL	1	
8	1UF-84366-00-00	. DAMPER, HEADLIGHT 1	4	
9	1UF-84338-00-00	. COLLAR, BODY FTNG	1	
10	95333-08600-00	. NUT	1	
11	1UF-84137-00-00	. BOLT, SPECIAL	1	
12	1UF-84307-00-00	. COLLAR	1	
13	1UF-84345-00-00	. DAMPER, HEADLIGHT	1	
14	1UF-84316-00-00	. NUT, BODY FITTING	1	
15	90201-082M8-00	. WASHER, PLATE	1	
16	90157-05084-00	SCREW, PAN HEAD	2	
17	1UF-84338-00-00	COLLAR, BODY FTNG	1	
18	97016-08030-00	BOLT	1	
19	92906-08100-00	WASHER, SPRING	1	
20	90201-08730-00	WASHER, PLATE	1	
21	91316-08045-00	BOLT, SOCKET HEAD	1	
22	92906-08200-00	WASHER	1	
23	1UF-84327-00-00	WASHER, SPECIAL	1	

3LT110-9370

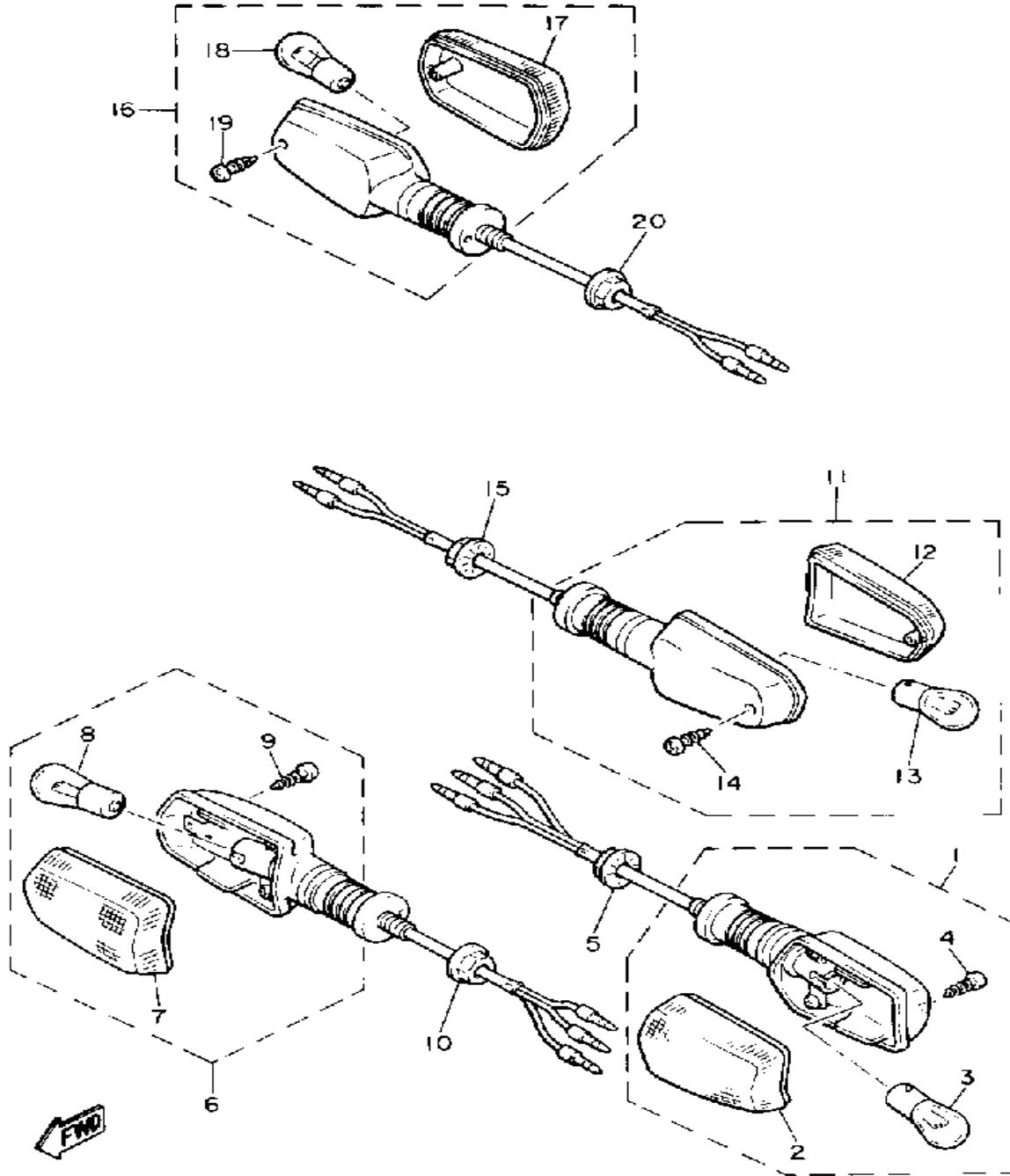
TAILLIGHT



2XA110-B390

Ref. No.	Part Number	Description	Qty	Remarks
1	1UJ-84710-A0-00	TAILLIGHT UNIT ASSEMBLY ..	1	
2	1FN-84721-E0-00	. LENS, TAILLIGHT	1	
3	47X-84723-00-00	. GASKET, TAIL LENS	1	
4	1A2-84718-40-00	. GROMMET	1	
5	256-84714-61-00	. BULB (12V-27/8W)	1	
6	1UJ-84735-A0-00	. CORD ASSEMBLY	1	
7	90480-18276-00	GROMMET	2	
8	90387-07037-00	COLLAR	2	
9	90201-06697-00	WASHER, PLATE	2	
10	95380-06600-00	NUT	2	
11	1UF-84745-A0-00	LICENSE LITE ASSEMBLY ...	1	
12	3F9-84749-00-00	. BODY, LICENCE LIGHT	1	
13	3F9-84744-00-XX	. BULB, METER 12V3.8W	1	
14	3F9-84742-00-00	SEAT, BASE	1	
15	3F9-84553-00-00	DAMPER	2	
16	3F9-84754-00-00	WASHER, SPECIAL	2	
17	3F9-84757-00-00	COLLAR, LCNSE BRKT	2	
18	95701-05500-00	NUT, FLANGE	2	
19	3LT-24786-11-00	EMBLEM	1	
20	3Y6-85130-02-00	REAR REFLECTOR ASSEMBLY	2	
21	95701-05500-00	NUT, FLANGE	2	
22	1FK-85130-00-00	REAR REFLECTOR ASSEMBLY	1	
23	95701-05500-00	NUT, FLANGE	2	

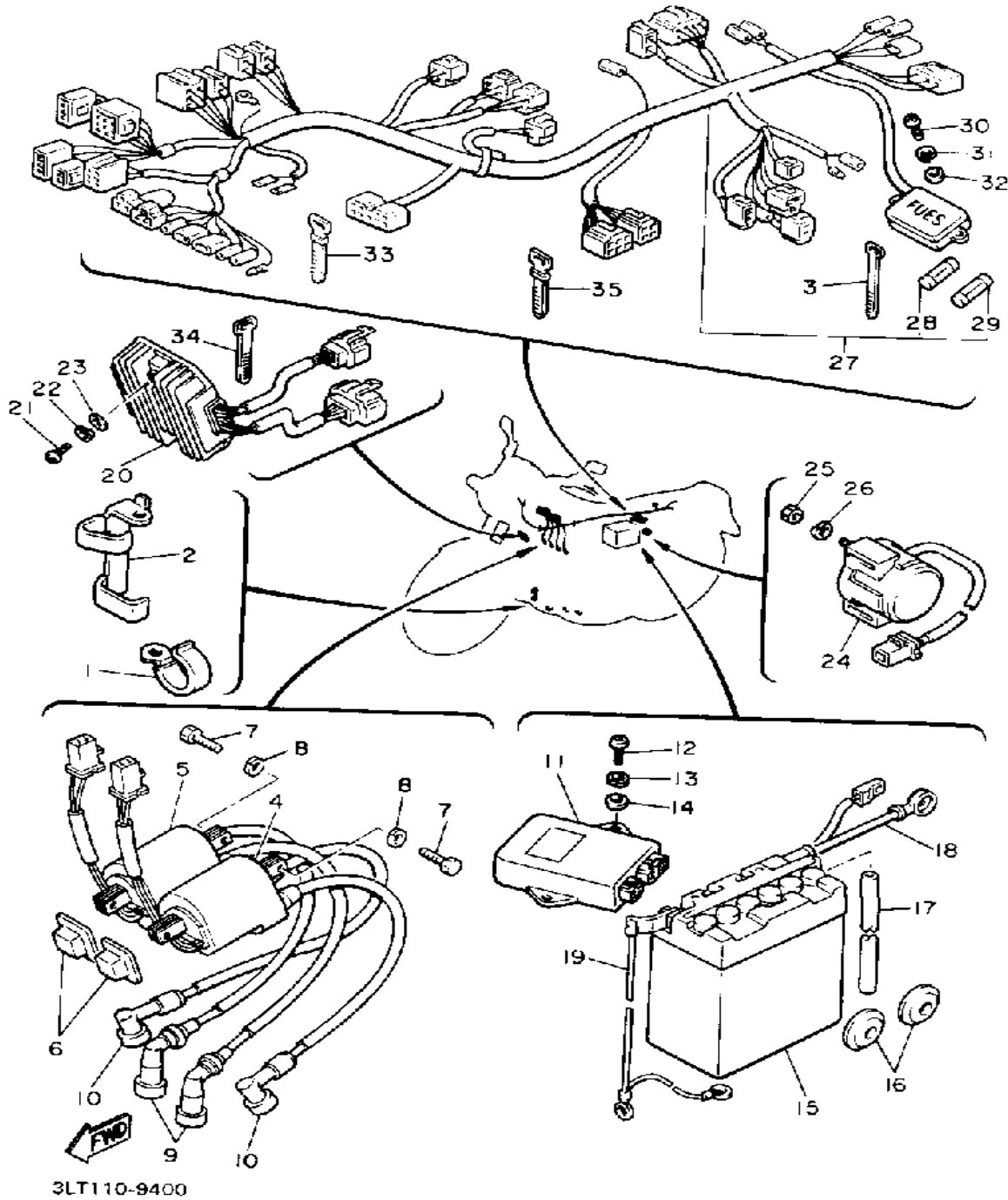
TURNSIGNAL



2XA110-B360

Ref. No.	Part Number	Description	Qty	Remarks
1	1UF-83310-00-00	FRONT FLASHER LIGHT ASSEMBLY 1	1	
2	51L-83332-01-00	. LENS, FLASHER	1	
3	256-84714-61-00	. BULB (12V-27/8W)	1	
4	97706-40620-00	. SCREW, TAPPING	1	
5	95701-12500-00	NUT, FLANGE	1	
6	1UF-83320-00-00	FRONT FLASHER LIGHT ASSEMBLY 2	1	
7	51L-83342-01-00	. LENS, FLASHER 2	1	
8	256-84714-61-00	. BULB (12V-27/8W)	1	
9	97706-40620-00	. SCREW, TAPPING	1	
10	95701-12500-00	NUT, FLANGE	1	
11	1UF-83330-00-00	REAR FLASHER LIGHT ASSEMBLY 1	1	
12	51L-83342-01-00	. LENS, FLASHER 2	1	
13	256-83311-70-XX	. BULB, TS 12V27W	1	
14	97706-40620-00	. SCREW, TAPPING	1	
15	95706-12500-00	NUT, FLANGE	1	
16	1UF-83340-00-00	FLASHER LIGHT ASSEMBLY 2	1	
17	51L-83332-01-00	. LENS, FLASHER	1	
18	256-83311-70-XX	. BULB, TS 12V27W	1	
19	97706-40620-00	. SCREW, TAPPING	1	
20	95706-12500-00	NUT, FLANGE	1	

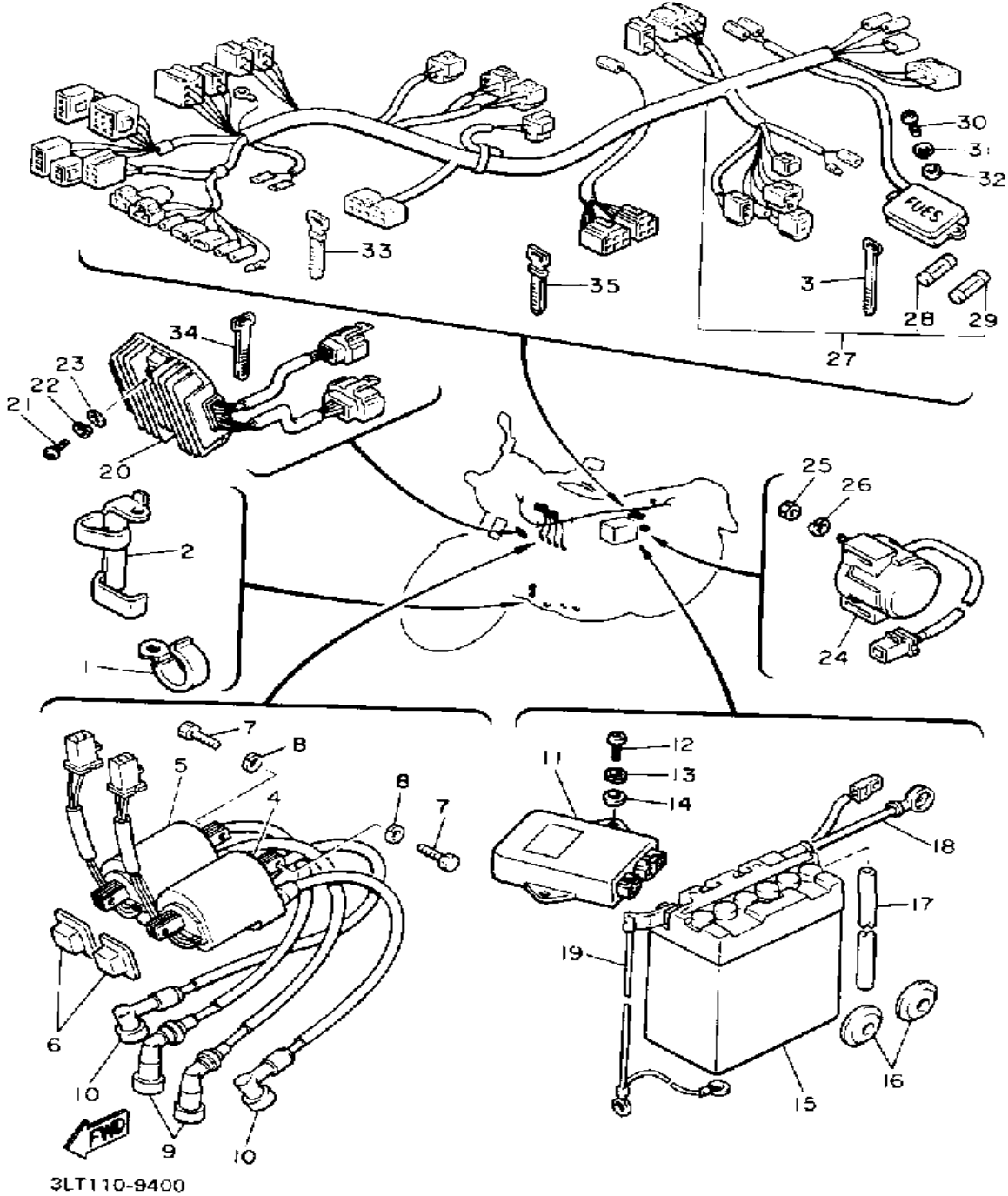
ELECTRICAL 1



Ref. No.	Part Number	Description	Qty	Remarks
1	90462-08078-00	CLAMP	3	
2	90462-08087-00	CLAMP	1	
3	341-26397-01-00	BAND	1	
4	3LT-82310-00-00	IGNITION COIL ASSEMBLY ...	1	
5	3LT-82320-00-00	IGNITION COIL ASSEMBLY ...	1	
6	4U8-82317-00-00	DAMPER, IGNITION COIL	2	
7	97011-06020-00	BOLT	2	
8	92995-06100-00	WASHER, SPRING	2	
9	1UY-82370-20-00	PLUG CAP ASSEMBLY	2	
10	55X-82370-00-00	PLUG CAP ASSEMBLY	2	
11	3LT-82305-01-00	IGNITOR UNIT ASSEMBLY ...	1	
12	98503-06014-00	SCREW, PAN HEAD (92502-06016)	2	
13	92995-06100-00	WASHER, SPRING	2	
14	92990-06600-00	WASHER, PLATE	2	
15	BTY-12N12-A4-A1	YUASA 12N12A-4A-1 (366-82110-60)	1	
16	371-82121-00-00	PAD, BATTERY	2	
17	90445-08348-00	HOSE	1	
18	4G0-82115-00-00	WIRE, PLUS LEAD	1	
19	4G0-82116-00-00	WIRE, MINUS LEAD	1	
20	3LT-81960-00-00	RECTIFIER/REG. ASSEMBLY .	1	
21	98580-06030-00	SCREW PAN HEAD	2	
22	92995-06100-00	WASHER, SPRING	2	
23	92990-06600-00	WASHER, PLATE	2	
24	3AY-81940-00-00	STARTER RELAY ASSEMBLY .	1	
25	95380-06700-00	NUT	2	
26	92995-06100-00	WASHER, SPRING	2	
27	3LT-82590-00-00	WIRE HARNESS ASSEMBLY ..	1	

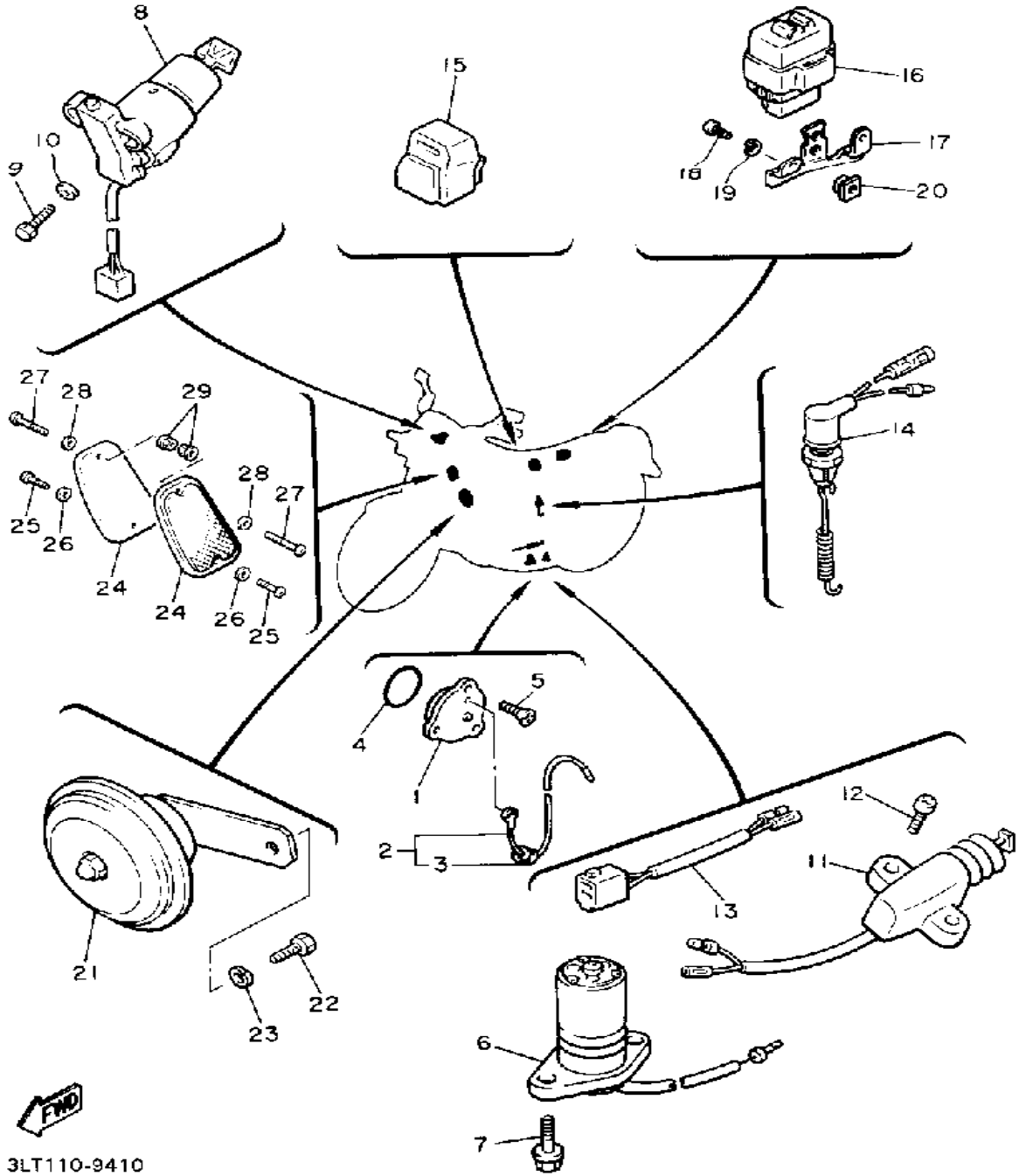
CONTINUED ON NEXT FRAME ►

ELECTRICAL 1



Ref. No.	Part Number	Description	Qty	Remarks
28	116-82151-00-00	. FUSE (10A)	3	
29	2H7-82151-00-00	. FUSE	1	
30	98503-06014-00	SCREW, PAN HEAD (92502-06016)	2	
31	92995-06100-00	WASHER, SPRING	2	
32	92990-06600-00	WASHER, PLATE	2	
33	437-83936-11-00	BAND, SWITCH CORD	2	
34	5Y9-12491-00-00	CLAMP 1	1	
35	90464-13073-00	CLAMP	1	

ELECTRICAL 2

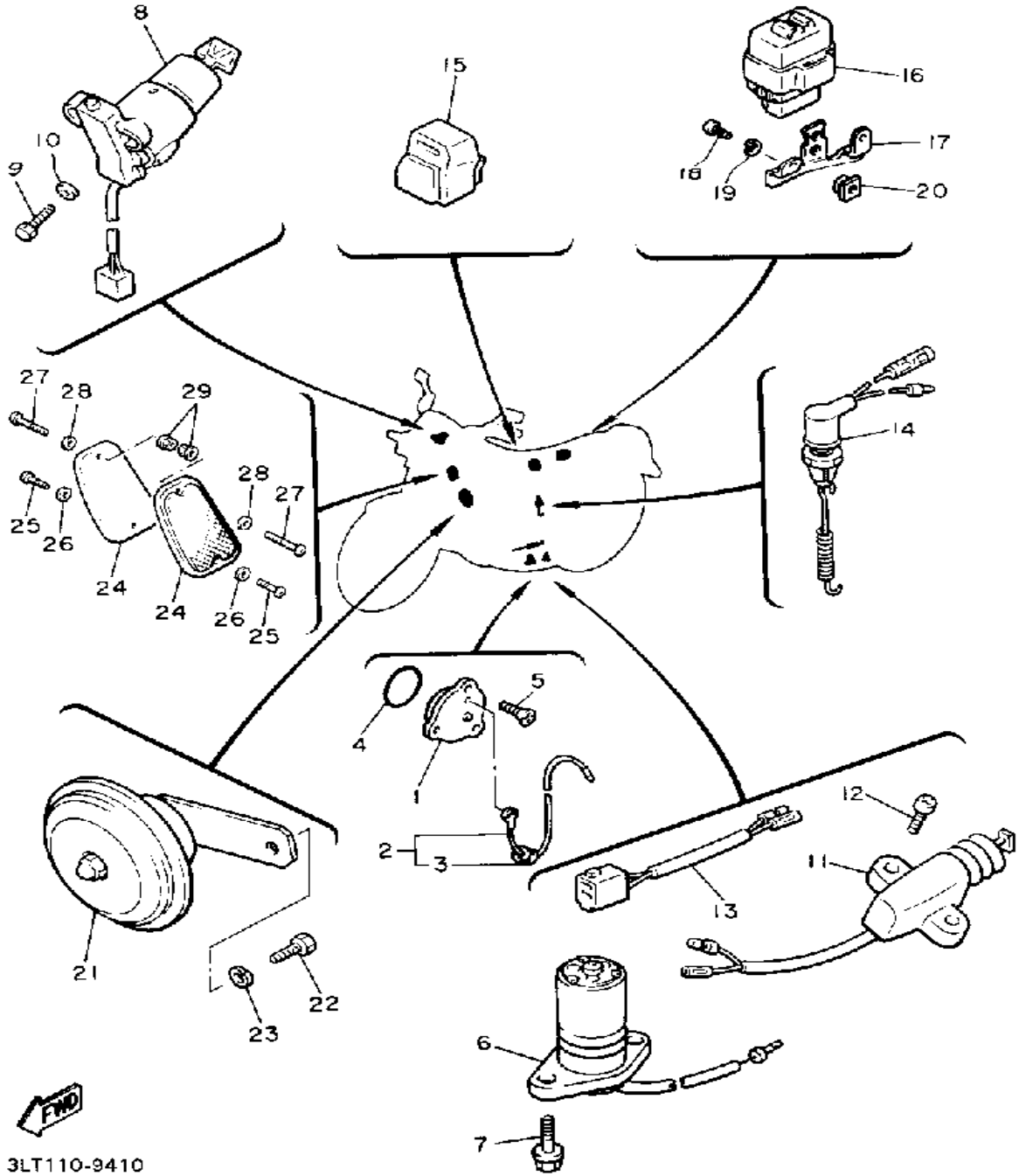


3LT110-9410


Ref. No.	Part Number	Description	Qty	Remarks
1	1L9-82540-00-00	NEUTRAL SWITCH ASSEMBLY	1	
2	3KM-82541-00-00	WIRE, LEAD	1	
3	90480-01148-00	. GROMMET	1	
4	93210-29196-00	O-RING	1	
5	98701-05012-00	SCREW, FLAT HEAD	3	
6	4U8-85720-00-00	OIL LVL GAUGE ASSEMBLY	1	
7	95026-06016-00	BOLT, FLANGE	2	
8	3LT-82501-00-00	MAIN SWCH STRG LCK	1	
9	97011-06016-00	BOLT	2	
10	92990-06600-00	WASHER, PLATE	2	
11	4U8-82566-00-00	SWITCH, SIDE STAND	1	
12	90152-05021-00	SCREW, COUNTERSUNK	2	
13	49A-82541-00-00	WIRE, LEAD	1	
14	2F1-82530-02-00	STOP SWITCH ASSEMBLY (2F1-82530-00)	1	
15	2UJ-81950-00-00	RELAY ASSEMBLY	1	
16	2UJ-83350-00-00	FLASHER RELAY ASSEMBLY	1	
17	3LT-81953-00-00	STAY, RELAY	1	
18	98580-06012-00	SCREW, PAN HEAD	2	
19	92995-06100-00	WASHER, SPRING	2	
20	4G0-21736-00-00	NUT, PLATE	2	
21	25G-83371-00-00	HORN	1	
22	97026-08012-00	BOLT	1	
23	92906-08100-00	WASHER, SPRING	1	
24	3G1-85110-00-00	FRT REFLECTOR ASSEMBLY	2	
25	98506-04018-00	SCREW, PAN HEAD	2	
26	92901-04600-00	WASHER, PLATE	2	
27	1M1-84524-60-00	SCREW, LENS FITTING	2	
28	92901-04600-00	WASHER, PLATE	2	

CONTINUED ON NEXT FRAME ►

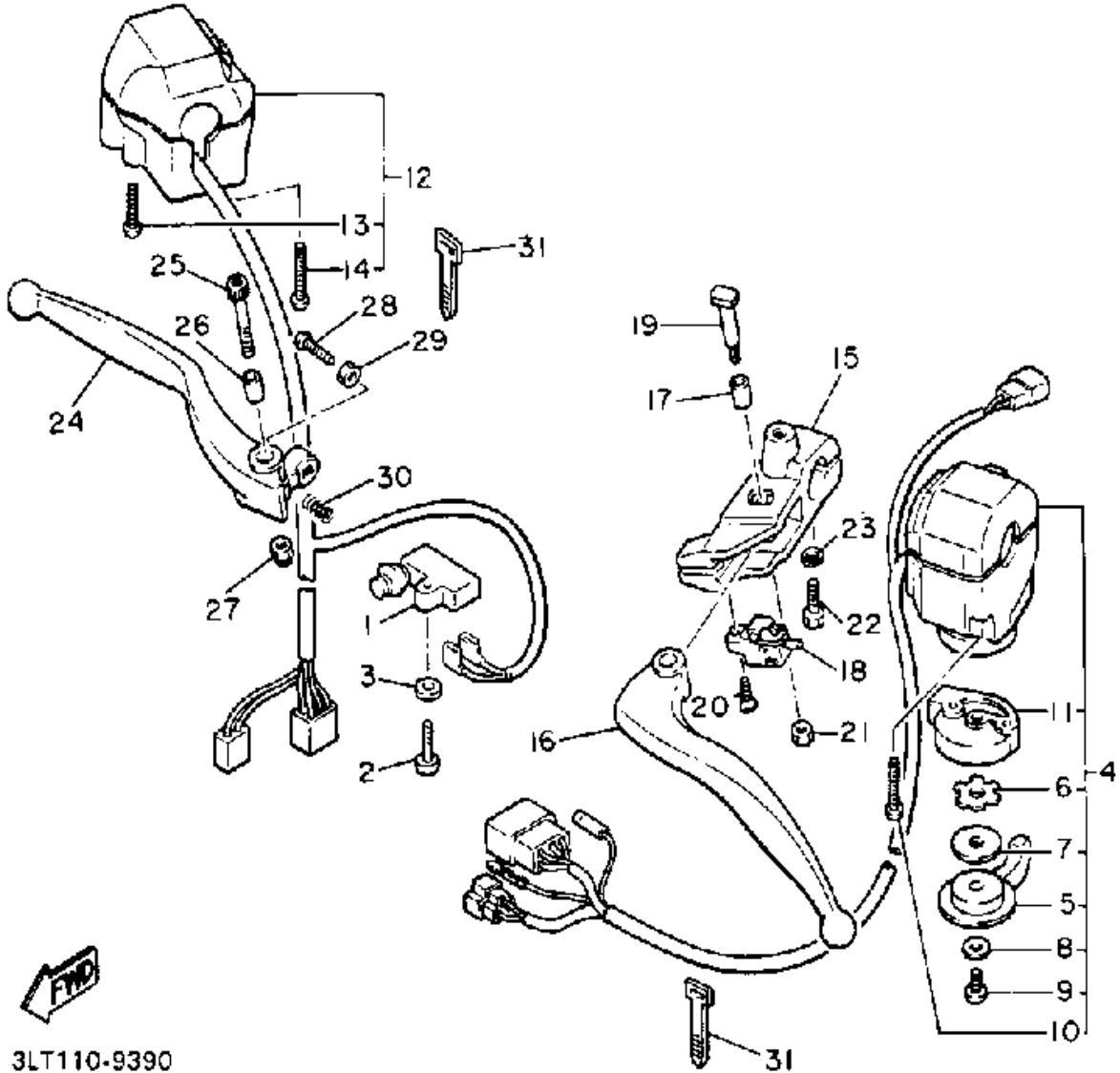
ELECTRICAL 2



Ref. No.	Part Number	Description	Qty	Remarks
29	95701-04500-00	NUT, FLANGE	2	


3LT110-9410

HANDLE SWITCH - LEVER

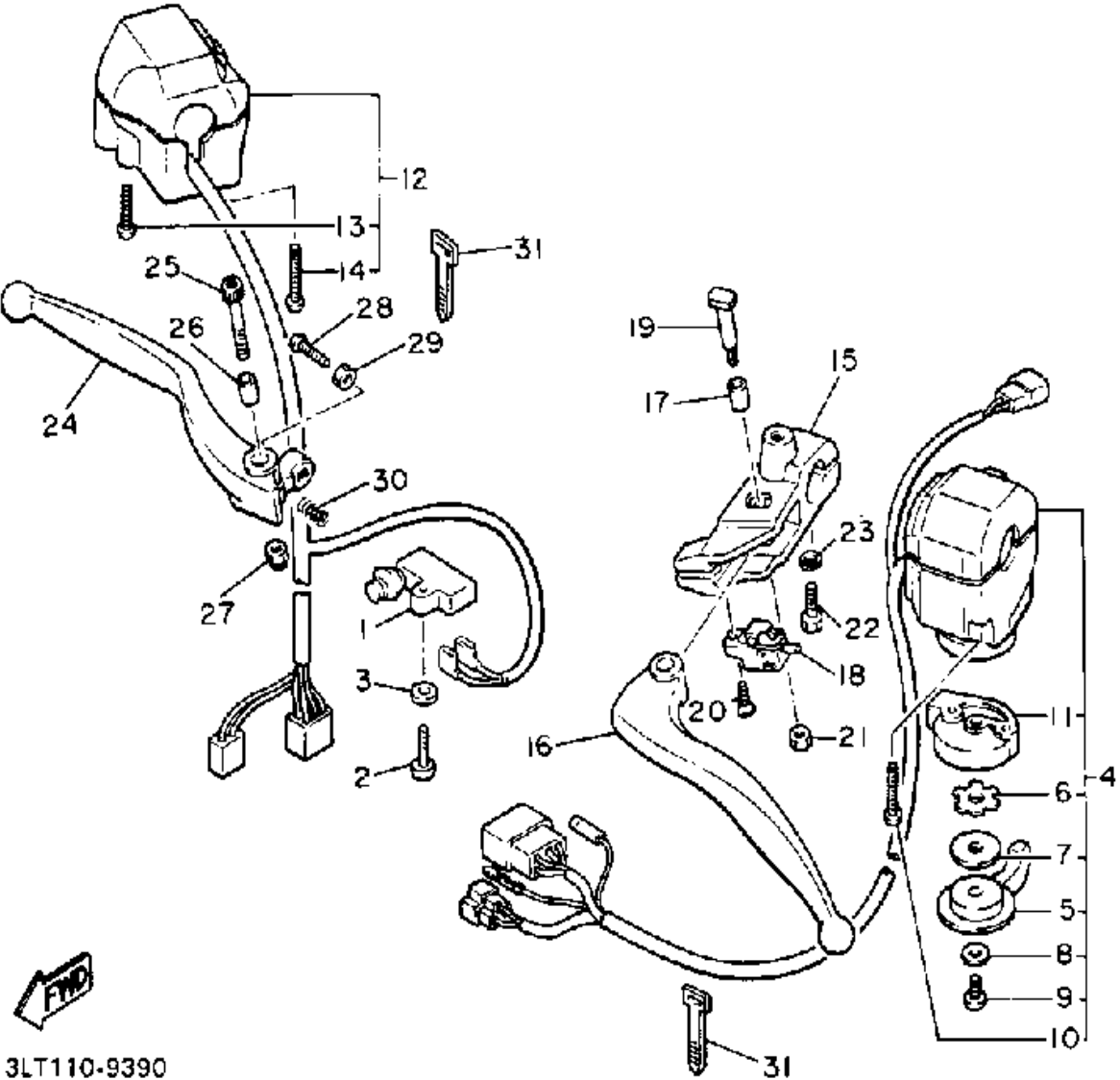


3LT110-9390

Ref. No.	Part Number	Description	Qty	Remarks
1	J45-82503-01-00	SWITCH, ALARM	1	
2	98506-04018-00	SCREW, PAN HEAD	1	
3	92906-04600-00	WASHER, PLATE	1	
4	1UJ-83973-00-00	SWITCH, HANDLE 3	1	
5	10M-83941-00-00	. LEVER, STARTER	1	
6	90209-10131-00	. WASHER	1	
7	1AA-8397X-00-00	. SPACER	1	
8	92990-06200-00	. WASHER	1	
9	98506-06008-00	. SCREW, PAN HEAD (92506-06008-00)	1	
10	98506-05035-00	. SCREW, PAN HEAD	2	
11	10M-83942-00-00	. COVER, STARTER	1	
12	1UJ-83975-00-00	SWITCH, HANDLE 2	1	
13	98506-05040-00	. SCREW, PAN HEAD	1	
14	98506-05045-00	. SCREW, PAN HEAD	1	
15	31A-82911-00-00	HOLDER, LEVER 1	1	
16	31A-83912-00-00	LEVER L	1	
17	31A-83913-00-00	COLLAR, LEVER 1	1	
18	31A-82917-00-00	SWITCH	1	
19	31A-83945-00-00	BOLT, LEVER	1	
20	98702-03008-00	SCREW, FLAT HEAD	1	
21	95616-06100-00	NUT, U	1	
22	97011-06025-00	BOLT (97001-06025)	1	
23	92906-06100-00	WASHER, SPRING	1	
24	36Y-83922-00-00	LEVER R	1	
25	90110-06074-00	BOLT, HEXAGON SOCKET HEAD	1	
26	36Y-83913-01-00	COLLAR, LEVER 1	1	
27	95616-06100-00	NUT, U	1	

CONTINUED ON NEXT FRAME ►

HANDLE SWITCH - LEVER



Ref. No.	Part Number	Description	Qty	Remarks
28	90149-06153-00	SCREW, SPEC'L SHAPE	1	
29	90170-06010-00	NUT	1	
30	90501-10312-00	SPRING, COMPRESSION	1	
31	437-83936-01-00	BAND, SWITCH CORD	2	



3LT110-9390

YX600A, AC 1990 SERVICE DATA

MODEL / PREFIX	YX600A / YX600AC	3LT / 3LT
INITIAL ENGINE NUMBER / FRAME NUMBER	A:3LT-00901 / JYA3LTE0()LA009101 AC:3LT-018101 / JYA3LTC0()LA018101	
ENGINE:	Air-Cooled Four-Stroke, DOHC Four	
Bore / Stroke / Number Cylinders / Displacement	58.5mm / 55.7mm / 4 / 599	
Compression Ratio / Pressure (Min ~ Max)	10:1 / 156 psi (142 ~ 164 psi)	
Valve Clearance (Cold): Intake / Exhaust	0.11 ~ 0.15mm / 0.16 ~ 0.20mm	
Oil Type: Above 5°C (40°F)	Yamalube 4* or SAE 20W40 SE or SF	
Oil Type: Below 15°C (60°F)	SAE 10W30 SE or SF	
Capacity: Oil and Filter Change / Oil Change Only	2500cc (2.6 qt) / 2200cc (2.3 qt)	
Oil Filter Part Number	1L9-13440-91-00	
TRANSMISSION:		
Oil Type/Capacity/Drive Chain Free Play	See ENGINE / ϕ / 20 ~ 30mm	
MIDDLE GEAR CASE: Oil Type / Capacity	ϕ / ϕ	
FINAL GEAR CASE: Oil or Grease Type/Capacity	ϕ / ϕ	
FUEL TANK: Main / Reserve / Fuel Type	12.0 Lit (3.2 gal) / 2.5 Lit (0.7 gal) / Unleaded Regular	
COOLING SYSTEM: Coolant Type / Mixing Ratio (Liquid)	ϕ / ϕ	
CARBURETOR:		
Manufacturer / Type / ID Number	Mikuni / BS30 / W:1UJ-01 WC: 1UL-01	
Main Jet / Pilot Jet / Pilot Screw (Turns Out)	#97.5 / #30 / ϕ	
Needle Jet / Jet Needle / Clip Position	O-6 / #1, 4: 4CHP2 #2, 3: 4CHP4 / Fixed	
Slide Cutaway	ϕ	
Float Height / Fuel Level	20 \pm 1mm / 2 \pm 1mm (With Special Tool)	
Idle rpm	1300 \pm 50	
Max CO _e / Max HC _e / Set CO _e	7% / 800 ppm / 3.5 \pm 0.5% @ 1300 rpm	
SUSPENSION:		
Front: Oil Type / Level / Quantity	10 wt. Fork Oil* / 112mm / 320cc	
Gas or Air Pressure Min ~ Max / Standard	ϕ / ϕ	
Rear: Gas or Air Pressure Min ~ Max / Standard	ϕ / ϕ	
TIRES: Size / Nominal Pressure: Front	110/90-16 59H / 1.8 kg/cm ² (26 psi)	
Size / Nominal Pressure: Rear	130/90-16 67H / 2 kg/cm ² (28 psi)	
BATTERY:		
Model / Capacity	12N12A-4A / 12V 12AH	
Specific Gravity / Charge Rate	1.280 / 1.2A	
IGNITION SYSTEM:	TC (Digital)	
Timing (BTDC)	10° @ 1200 rpm Full Adv. 37° @ 7300 rpm	
Spark Plug / Gap	NGK D8EA or ND X24ESU / 0.6 ~ 0.7mm	
LIGHTING SYSTEM:		
Headlight / Taillight / Turn Signal	12V 60-55W / 12V 27-8W / 12V 27W	
SERVICE LITERATURE:		
Owner's Manual	LIT-11626-06-99	
Service Manual	LIT-11616-06-88	
Assembly Manual	LIT-11666-05-06	
Consumer Information	LIT-11656-04-54	

ϕ = Does not apply to this model
NA = Information not available

* = Available from YPAD
e = For diagnostic use only

APPLICATION	SIZE	m-kg	ft-lb	NOTES
Front Axle Nut	M14	10.5	75	
Front Axle Holder Nut	M8	2.0	14	
Rear Axle Nut	M14	10.5	75	
Rear Axle Pinch Bolt	ϕ			
Clutch Nut	M20	7.0	50	
Drain Plug	M14	4.3	31	
Flywheel Nut	M10	3.5	25	
Cylinder Head Cover	M6	1.0	7	
Cylinder Head: Cap Nut	M8	2.2	16	³
Stud Bolt	M6	0.5	4	³
Engine Mounting Bolts: Front Upper & Lower	M10	4.2	30	
Front Stay & Frame	M8	2.0	14	
Rear	M12	7.0	50	
Pivot Shaft & Locknut	M14	9.0	65	
Spark Plug		1.75	13	

¹ Use Lock Washer

² Use Loctite®

³ Use Motor Oil

⁴ Use Motor Oil on Washers

⁵ Stake

⁶ Left-Hand Threads

ϕ Does not apply to this model

PAGE 2 OF 2

ROUTE TO:

SERVICE

PARTS

WARRANTY

SALES

APPLICATION	SIZE	m-kg	ft-lb	NOTES
Front Axle Nut	M14	10.5	75	
Front Axle Holder Nut	M8	2.0	14	
Rear Axle Nut	M14	10.5	75	
Rear Axle Pinch Bolt	φ			
Clutch Nut	M20	7.0	50	
Drain Plug	M14	4.3	31	
Flywheel Nut	M10	3.5	25	
Cylinder Head Cover	M6	1.0	7	
Cylinder Head: Cap Nut	M8	2.2	16	³
Stud Bolt	M6	0.5	4	³
Engine Mounting Bolts: Front Upper & Lower	M10	4.2	30	
Front Stay & Frame	M8	2.0	14	
Rear	M12	7.0	50	
Pivot Shaft & Locknut	M14	9.0	65	
Spark Plug		1.75	13	

- ¹ Use Lock Washer
- ² Use Loctite®
- ³ Use Motor Oil
- ⁴ Use Motor Oil on Washers

- ⁵ Stake
- ⁶ Left-Hand Threads
- φ Does not apply to this model

PAGE 2 OF 2 ROUTE TO: SERVICE PARTS WARRANTY SALES